

USER MANUAL

Glass Washers & Dishwashers:

Glass Washer – B 21

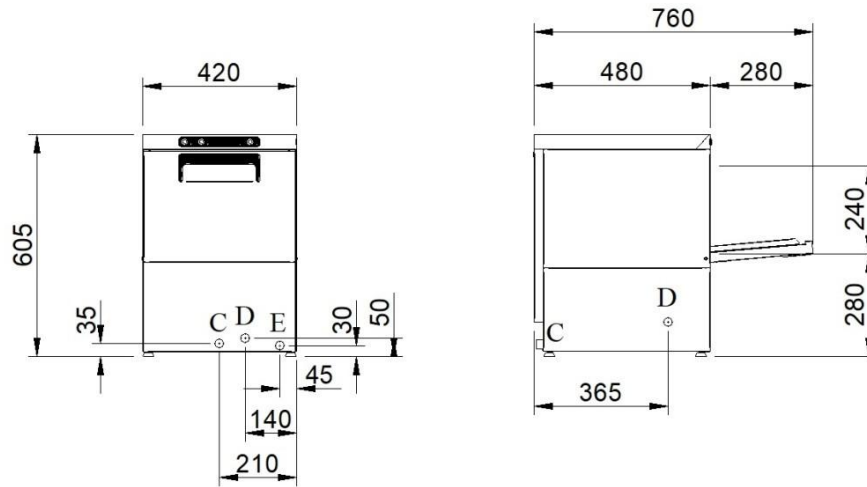
Undercounter Dishwasher – B 32

Hood Type Dishwasher – B 51

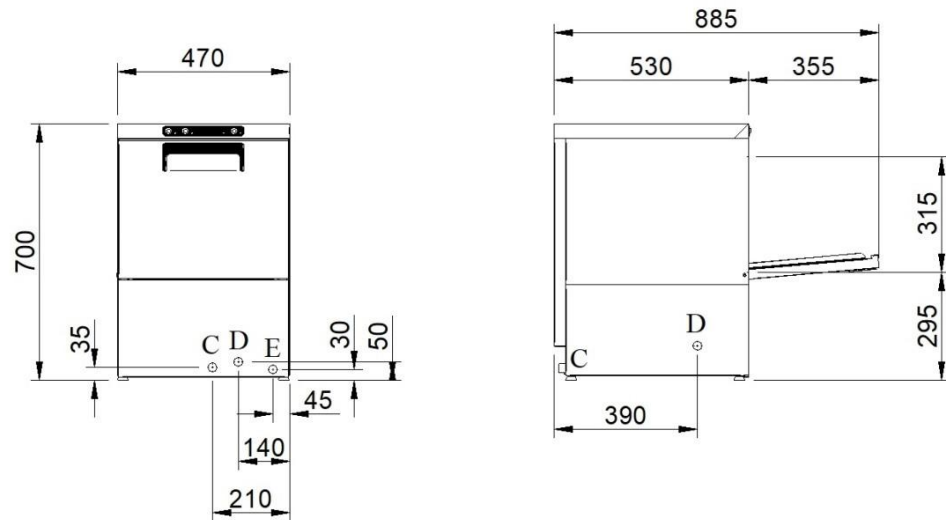
EN	INSTALLATION GUIDE	11
	Tables and Technical features	
	General warnings - Installation and Maintenance	
	USER GUIDE	18
	Instructions for Use - Device care and cleaning	

MISURE D'INGOMBRO / DIMENSIONS / OVERALL DIMENSIONS
 ABMESSUNGEN / DIMENCIONES / ГАБАРИТНЫЕ РАЗМЕРЫ / DIMENSÕES GERAIS

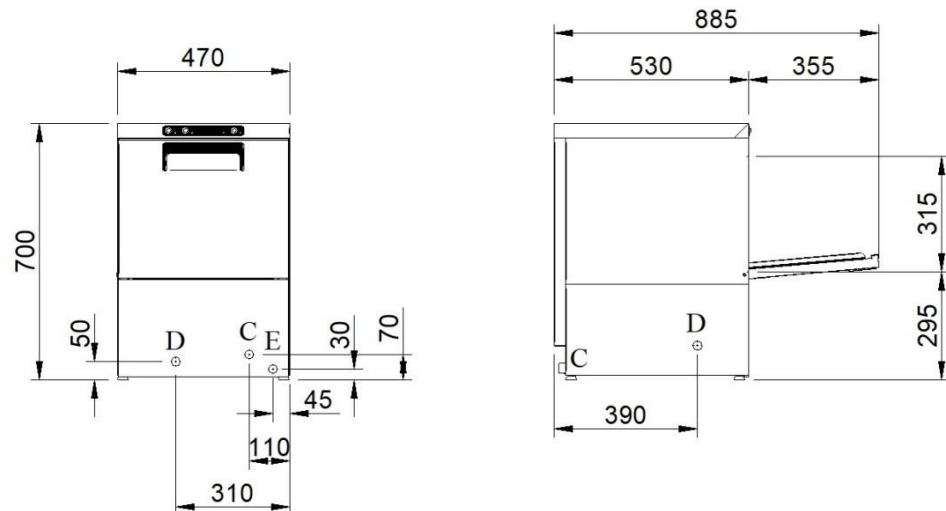
B11



B21



B21D



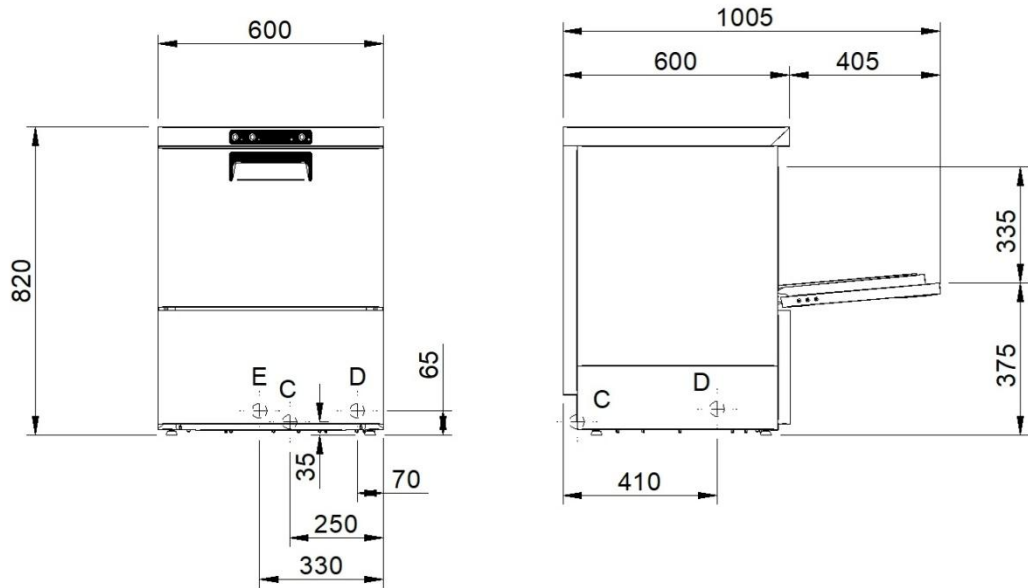
D = SCARICO 1", VIDANGE 1", DRAIN 1"; ABFLUSS 1"; DESAGÜE 1"; СЛИВ 1", DESCARGA DE ÁGUA

C = CARICAMENTO ACQUA ¾"; CHARGEMENT EAU ¾"; WATER INLET ¾"; ZUFLUSS ¾"; CARGA AGUA ¾"; ЗАЛИВКА ВОДЫ ¾"; CARGA DE AGUA

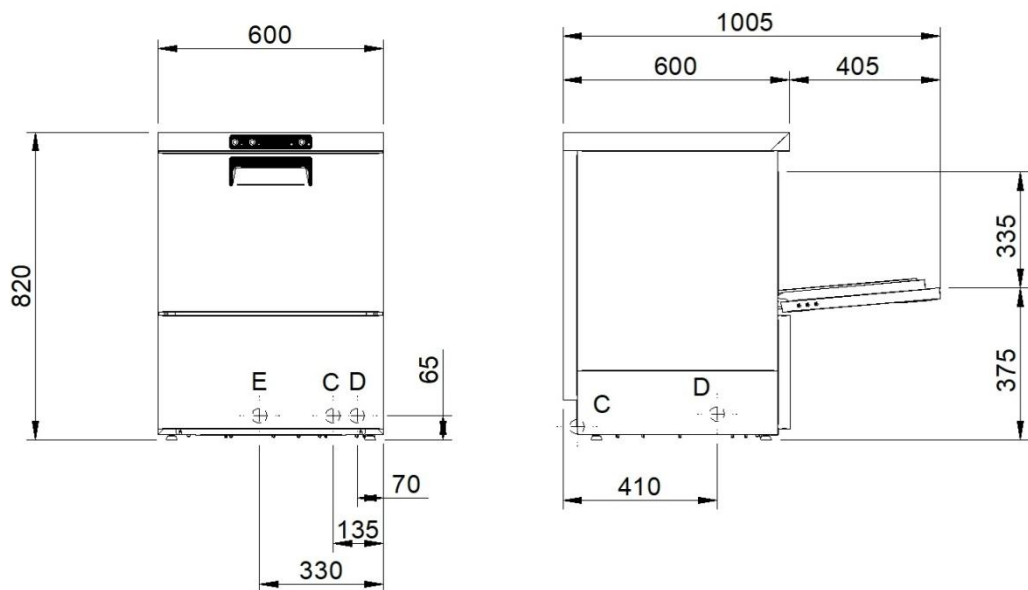
E = ALLACCIAMENTO ELETTRICO; BRANCHEMENT ELECTRIQUE; ELECTRIC CONNECTION; ELEKTRISCHER ANSCHLUSS; CONEXION ELECTRICA; ЭЛЕКТРИЧЕСКОЕ ПОДКЛЮЧЕНИЕ, CONEXÃO ELÉTRICA

**MISURE D'INGOMBRO / DIMENSIONS / OVERALL DIMENSIONS
ABMESSUNGEN / DIMENCIONES / ГАБАРИТНЫЕ РАЗМЕРЫ / DIMENSÕES GERAIS**

B32



B32D

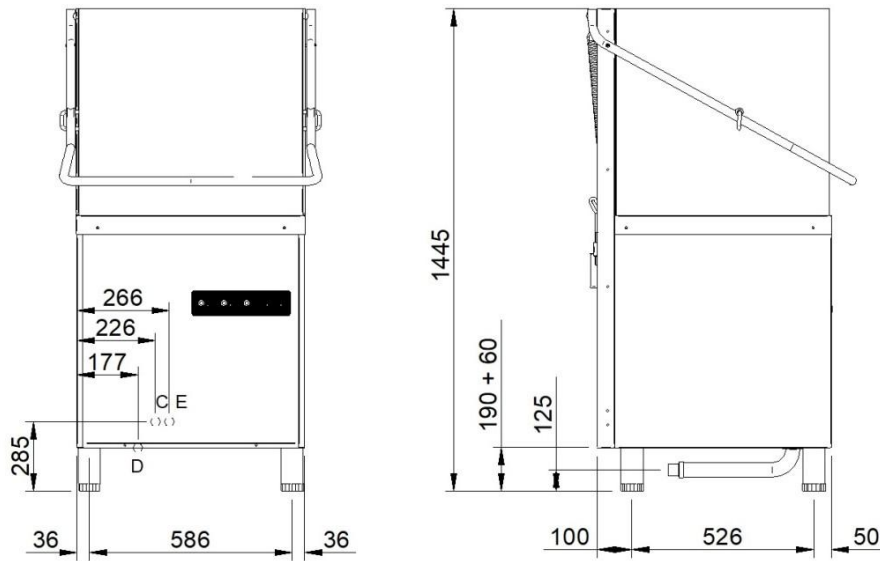


D = SCARICO 1 1/2", VIDANGE 1 1/2", DRAIN 1 1/2"; ABFLUSS 1 1/2"; DESAGÜE 1 1/2"; СЛИВ 1 1/2", DESCARGA DE AGUA

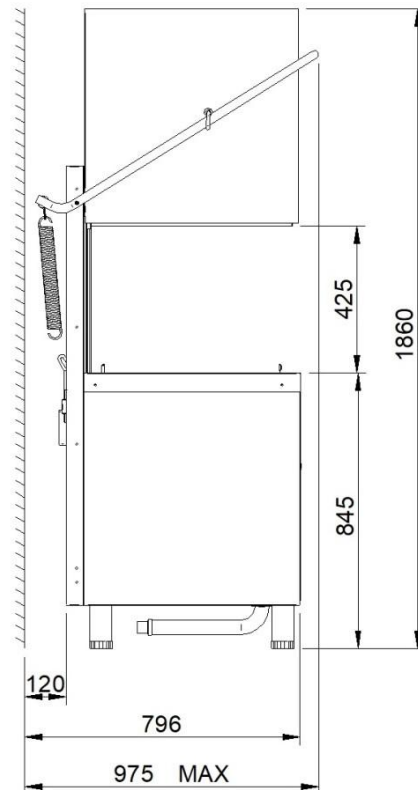
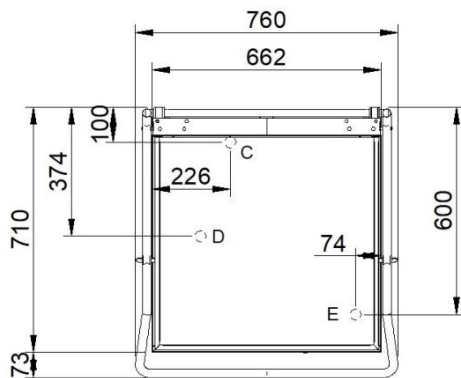
C = CARICAMENTO ACQUA 3/4"; CHARGEMENT EAU 3/4"; WATER INLET 3/4"; ZUFLUSS 3/4"; CARGA AGUA 3/4"; ЗАЛИВКА ВОДЫ 3/4", CARGA DE AGUA

E = ALLACCIAMENTO ELETTRICO; BRANCHEMENT ELECTRIQUE; ELECTRIC CONNECTION; ELEKTRISCHER ANSCHLUSS; CONEXION ELECTRICA; ЭЛЕКТРИЧЕСКОЕ ПОДКЛЮЧЕНИЕ, CONEXÃO ELÉTRICA

**MISURE D'INGOMBRO / DIMENSIONS / OVERALL DIMENSIONS
ABMESSUNGEN / DIMENCIONES / ГАБАРИТНЫЕ РАЗМЕРЫ / DIMENSÕES GERAIS**



B51



D = SCARICO; VIDANGE; DRAIN; ABFLUSS; DESAGÜE; СЛИВ, DESCARGA DE AGUA

C = CARICAMENTO ACQUA 3/4"; CHARGEMENT EAU 3/4"; WATER INLET 3/4"; ZUFLUSS 3/4"; CARGA AGUA 3/4"; ЗАЛИВКА ВОДЫ 3/4", CARGA DE AGUA

E = ALLACCIAMENTO ELETTRICO; BRANCHEMENT ELECTRIQUE; ELECTRIC CONNECTION; ELEKTRISCHER ANSCHLUSS; CONEXION ELECTRICA; ЭЛЕКТРИЧЕСКОЕ ПОДКЛЮЧЕНИЕ, CONEXÃO ELÉTRICA

CARATTERISTICHE TECNICHE - CARACTERISTIQUES TECHNIQUES
 TECHNICAL FEATURES - TECHNISCHE DATEN
 CARACTERÍSTICAS TÉCNICAS - ТЕХНИЧЕСКИЕ ХАРАКТЕРИСТИКИ
 CARACTERÍSTICAS TÉCNICAS

	B11	B21	B21D
PRODUZIONE ORARIA (CESTI) / DÉBIT PANIERS-H / BASKETS PER HOUR / KÖRBE PRO STUNDE / RENDIMIENTO HORARIO / ЧАСОВАЯ ПРОИЗ-СТЬ (КОРЗИНКИ) /	30	30	30
ALIMENTAZIONE ELETTRICA / ALIMENTATION ÉLECTRIQUE / ELECTRIC FEEDING / ELEKTRISCHER ANSCHLUSS / ALIMENTACION ELECTRICA / ЭЛЕКТРОПИТАНИЕ / ALIMENTAÇÃO ELÉTRICA	230/1	230/1	230/1
POTENZA MAX ASSORBITA / PUISSANCE TOTALE / TOTAL POWER / GESAMTANSCHLUSSWERT / POTENCIA MAXIMA / МАКС.ПОТРЕБЛЯЕМАЯ МОЩНОСТЬ / CONSUMO MÁXIMO DE ENERGIA	3,25 kW	3,25 kW	3,25 kW
RESISTENZA BOILER / RÉSISTANCE BOILER / BOILER HEATING ELEMENT / BOILERHEIZUNG / RESISTENCIA CALDERIN / НАГРЕВАТЕЛЬ БОЙЛЕРА / RESISTÊNCIA DA CALDEIRA	2,5 kW	2,5 kW	2,5 kW
RESISTENZA VASCA / RÉSISTANCE CUVE / TANK HEATING ELEMENT / TANKHEIZUNG / RESISTENCIA CUBA / НАГРЕВАТЕЛЬ ЕМКОСТИ / RESISTÊNCIA DO TANQUE	0,5 kW	0,5 kW	0,5 kW
POTENZA POMPA LAVAGGIO VENTILATA / PUISSANCE POMPE DE LAVAGE VENTILÉE / VENTILATED WASH PUMP / GELÜFTETE SPÜLPUMPE / POTENCIA BOMBA DE LAVADO VENTILADA / МОЩНОСТЬ НАСОСА МОЙКИ ВЕНТ. / POTÊNCIA DA BOMBA DE LAVAGEM VENTILADA	0,24 kW	0,24 kW	0,24 kW
PORTATA POMPA DI LAVAGGIO / DÉBIT POMPE DE / LAVAGE / PUMP DELIVERY / FÖRDERMENGE PUMPE / CAUDAL BOMBA DE LAVADO / ПРОИЗ-СТЬ НАСОСА МОЙКИ / CAPACIDADE DA BOMBA DE LAVAGEM	120 l/min	120 l/min	120 l/min
CAPACITÀ VASCA / CAPACITÉ CUVE / TANK CAPACITY TANKINHALT / CAPACIDAD CUBA / ОБЪЕМ ЕМКОСТИ / CAPACIDADE DO TANQUE	8 l	10 l	10 l
CAPACITÀ BOILER / CAPACITÉ BOILER / BOILER CAPACITY / BOILERINHALT / CAPACIDAD CALDERIN / ОБЪЕМ БОЙЛЕРА / CAPACIDADE DA CALDEIRA	2,5 l	2,5 l	2,5 l
PRESSIONE ACQUA DI RISCIAQUO / PRESSION EAU DE RINÇAGE / RINSE WATER PRESSURE / NACHSPÜLWASSERDRUCK / PRESION AGUA DE ACLARADO / ДАВЛЕНИЕ ВОДЫ ПРИ ОПОЛАСКИВАНИИ / PRESSÃO DA ÁGUA PARA ENXÁGUE	2 ÷ 4 bar 200 ÷ 400 kPa	2 ÷ 4 bar 200 ÷ 400 kPa	3 ÷ 4 bar 300 ÷ 400 kPa
DUREZZA DELL'ACQUA / DURETÉ EAU / WATER HARDNESS / WASSERHÄRTE / DUREZA DE AGUA / ЖЕСТКОСТЬ ВОДЫ / DUREZA DA ÁGUA	8° ÷ 14 °F	8° ÷ 14 °F	8° ÷ 30 °F
TEMPERATURA MAX ACQUA IN INGRESSO / TEMPERATURE MAX EAU REMPLISSAGE / MAX. TEMPERATURE OF WATER SUPPLY / MAX TEMPERATUR ZUFLUSSWASSER / TEMPERATURA MAXIMA ENTRADA AGUA / МАКС.ТЕМПЕРАТУРА ВОДЫ НА ВХОДЕ / TEMPERATURA MÁXIMA DA ÁGUA DE ENTRADA	50 °C	50 °C	50 °C
CONSUMO ACQUA PER CICLO/QUANTITÉ EAU PAR CYCLE / WATER CONSUMPTION PER CYCLE/WASSERVERBRAUCH PRO ZYKLUS / CONSUMO AGUA POR CICLO/ПОТРЕБЛЕНИЕ ВОДЫ ЗА ЦИКЛ / CONSUMO DE ÁGUA POR CICLO	1,75 l	1,75 l	1,75 l
CICLO DI LAVORO / CYCLE DE LAVAGE / WASH CYCLE / SPÜLPROGRAMM / CICLO DE LAVADO / ЦИКЛ РАБОТЫ / CICLO DE LAVAGEM	120 sec	120 sec	120 sec
DIMENSIONI CESTO / DIMENSIONS PANIER / DIMENSIONS OF BASKET / KORBAMMESSUNGEN / DIMENSIONES CESTA / РАЗМЕРЫ КОРЗИНКИ / DIMENSÕES DA CESTA	35x35 cm	40x40 cm	40x40 cm
DOTAZIONE CESTO VICCHIERI / EQUIPEMENT PANIER VERRÉS / EQUIPMENT GLASS BASKET / GLÄSERKORBAUSSTATTUNG / CESTAS PARA VASOS / КОРЗИНЫ ДЛЯ БОКАЛОВ / CESTA DE COPOS	2	2	2

	B11	B21	B21D
CESTO PIATTI / PANIER ASSIETTES / BASKET FOR DISHES / TELLERKÖRBE / CESTA PARA PLATOS / КОРЗИНА ДЛЯ ТАРЕЛОК / CAIXA DE PLACAS	/	/	/
CESTO POSATE / PANIER POUR COUVERTS / CUTLERY BASKET / BESTECKKORB / CUBILITE PARA CUBIERTOS / КОРЗИНА ДЛЯ СТОЛОВЫХ ПРИБОРОВ / CESTA DE CUTELARIA	1	1	1
PESO NETTO / POIDS NET / NET WEIGHT / NETTOGEWICHT / PESO NETO / ВЕС НЕТТО / PESO ÚTIL	26 kg	32 kg	33 kg
PESO LORDO / POIDS TOTAL / TOTAL WEIGHT / BRUTTOGEWICHT / PESO BRUTO / ВЕС БРУТТО / PESO BRUTO	32 kg	38 kg	39 kg
CAVO DI ALIMENTAZIONE ELETTRICA / CÂBLE D'ALIMENTATION ÉLECTRIQUE / POWER SUPPLY CABLE / STROMVERSORGUNGSKABEL / CABLE DE ALIMENTACIÓN / КАБЕЛЬ ПИТАНИЯ / CABO DE ALIMENTAÇÃO	H07RN-F 3x2,5 2 m	H07RN-F 3x2,5 2 m	H07RN-F 3x2,5 2 m
EMISSIONE ACUSTICA (secondo DIN 45635) / NIVEAU ACOUSTIQUE (selon DIN 45635) / NOISE LEVEL (according to DIN 45635) / ARBEITSPLATZBEZOGENER EMISSIONSWERT (laut DIN 45635) / NIVEL RUIDO (acuerdo DIN 45635) / ШУМНОСТЬ (согласно DIN45635) / EMISSÃO DE RUÍDO (de acordo com a DIN 45635)	<70 dB (A)	<70 dB (A)	<70 dB (A)

CARATTERISTICHE TECNICHE - CARACTERISTIQUES TECHNIQUES
 TECHNICAL FEATURES - TECHNISCHE DATEN
 CARACTERÍSTICAS TÉCNICAS - ТЕХНИЧЕСКИЕ ХАРАКТЕРИСТИКИ
 CARACTERÍSTICAS TÉCNICAS

	B32	B32D
PRODUZIONE ORARIA (CESTI) / DÉBIT PANIERS-H / BASKETS PER HOUR / KÖRBE PRO STUNDE / RENDIMIENTO HORARIO / ЧАСОВАЯ ПРОИЗ-СТЬ (КОРЗИНКИ) /	30	30
ALIMENTAZIONE ELETTRICA / ALIMENTATION ÉLECTRIQUE / ELECTRIC FEEDING / ELEKTRISCHER ANSCHLUSS / ALIMENTACION ELECTRICA / ЭЛЕКТРОПИТАНИЕ / ALIMENTAÇÃO ELÉTRICA	230/1 230/3 400/3+N	230/1 230/3 400/3+N
POTENZA MAX ASSORBITA / PUISSANCE TOTALE / TOTAL POWER / GESAMTANSCHLUSSWERT / POTENCIA MÁXIMA / МАКС.ПОТРЕБЛЯЕМАЯ МОЩНОСТЬ / CONSUMO MÁXIMO DE ENERGIA	3,5 kW	3,5 kW
RESISTENZA BOILER / RÉSISTANCE BOILER / BOILER HEATING ELEMENT / BOILERHEIZUNG / RESISTENCIA CALDERIN / НАГРЕВАТЕЛЬ БОЙЛЕРА / RESISTÊNCIA DA CALDEIRA	3 kW	3 kW
RESISTENZA VASCA / RÉSISTANCE CUVE / TANK HEATING ELEMENT / TANKHEIZUNG / RESISTENCIA CUBA / НАГРЕВАТЕЛЬ ЕМКОСТИ / RESISTÊNCIA DO TANQUE	2,5 kW	2,5 kW
POTENZA POMPA LAVAGGIO VENTILATA / PUISSANCE POMPE DE LAVAGE VENTILÉE / VENTILATED WASH PUMP / GELÜFTETE SPÜLPUMPE / POTENCIA BOMBA DE LAVADO VENTILADA / МОЩНОСТЬ НАСОСА МОЙКИ ВЕНТ. / POTÊNCIA DA BOMBA DE LAVAGEM VENTILADA	0,6 kW	0,6 kW
PORTATA POMPA DI LAVAGGIO / DÉBIT POMPE DE / LAVAGE / PUMP DELIVERY / FÖRDERMENGE PUMPE / CAUDAL BOMBA DE LAVADO / ПРОИЗ-СТЬ НАСОСА МОЙКИ / CAPACIDADE DA BOMBA DE LAVAGEM	350 l/min	350 l/min
CAPACITÀ VASCA / CAPACITÉ CUVE / TANK CAPACITY / TANKINHALT / CAPACIDAD CUBA / ОБЪЕМ ЕМКОСТИ / CAPACIDADE DO TANQUE	26 l	26 l
CAPACITÀ BOILER / CAPACITÉ BOILER / BOILER CAPACITY / BOILERINHALT / CAPACIDAD CALDERIN / ОБЪЕМ БОЙЛЕРА / CAPACIDADE DA CALDEIRA	7 l	7 l
PRESSIONE ACQUA DI RISCIAQUO / PRESSION EAU DE RINÇAGE / RINSE WATER PRESSURE / NACHSPÜLWASSERDRUCK / PRESION AGUA DE ACLARADO / ДАВЛЕНИЕ ВОДЫ ПРИ ОПОЛАСКИВАНИИ / PRESSÃO DA ÁGUA PARA ENXÁGUE	2 ÷ 4 bar 200 ÷ 400 kPa	3 ÷ 4 bar 300 ÷ 400 kPa
DUREZZA DELL'ACQUA / DURETÉ EAU / WATER HARDNESS / WASSERHÄRTE / DUREZA DE AGUA / ЖЕСТКОСТЬ ВОДЫ / DUREZA DA ÁGUA	8° ÷ 14° F	8° ÷ 30° F
TEMPERATURA MAX ACQUA IN INGRESSO / TEMPERATURE MAX EAU REMPLISSAGE / MAX. TEMPERATURE OF WATER SUPPLY / MAX TEMPERATUR ZUFLUSSWASSER / TEMPERATURA MAXIMA ENTRADA AGUA / МАКС.ТЕМПЕРАТУРА ВОДЫ НА ВХОДЕ / TEMPERATURA MÁXIMA DA ÁGUA DE ENTRADA	50 °C	50 °C
CONSUMO ACQUA PER CICLO/QUANTITÉ EAU PAR CYCLE / WATER CONSUMPTION PER CYCLE/WASSERVERBRAUCH PRO ZYKLUS / CONSUMO AGUA POR CICLO/ПОТРЕБЛЕНИЕ ВОДЫ ЗА ЦИКЛ / CONSUMO DE ÁGUA POR CICLO	2,5 l	2,5 l
CICLO DI LAVORO / CYCLE DE LAVAGE / WASH CYCLE / SPÜLPROGRAMM / CICLO DE LAVADO / ЦИКЛ РАБОТЫ / CICLO DE LAVAGEM	120 sec	120 sec
DIMENSIONI CESTO / DIMENSIONS PANIER / DIMENSIONS OF BASKET / KORBABMESSUNGEN / DIMENSIONES CESTA / РАЗМЕРЫ КОРЗИНКИ / DIMENSÕES DA CESTA	50x50 cm	50x50 cm
DOTAZIONE CESTO VICCHIERI / EQUIPEMENT PANIER VERRES / EQUIPMENT GLASS BASKET / GLÄSERKORBAUSSTATTUNG / CESTAS PARA VASOS / КОРЗИНЫ ДЛЯ БОКАЛОВ / CESTA DE COPOS	1	1

	B32	B32D
CESTO PIATTI / PANIER ASSIETTES / BASKET FOR DISHES / TELLERKÖRBE / CESTA PARA PLATOS / КОРЗИНА ДЛЯ ТАРЕЛОК / CAIXA DE PLACAS	1	1
CESTO POSATE / PANIER POUR COUVERTS / CUTLERY BASKET / BESTECKKORB / CUBILITE PARA CUBIERTOS / КОРЗИНА ДЛЯ СТОЛОВЫХ ПРИБОРОВ / CESTA DE CUTELARIA	1	1
PESO NETTO / POIDS NET / NET WEIGHT / NETTOGEWICHT / PESO NETO / ВЕС НЕТТО / PESO ÚTIL	52 kg	52 kg
PESO LORDO / POIDS TOTAL / TOTAL WEIGHT / BRUTTOGEWICHT / PESO BRUTO / ВЕС БРУТТО / PESO BRUTO	62 kg	62 kg
CAVO DI ALIMENTAZIONE ELETTRICA / CÂBLE D'ALIMENTATION ÉLECTRIQUE / POWER SUPPLY CABLE / STROMVERSORGUNGSKABEL / CABLE DE ALIMENTACIÓN / КАБЕЛЬ ПИТАНИЯ / CABO DE ALIMENTAÇÃO	H07RN-F 5x2,5 2 m	H07RN-F 5x2,5 2 m
EMISSIONE ACUSTICA (secondo DIN 45635) / NIVEAU ACOUSTIQUE (selon DIN 45635) / NOISE LEVEL (according to DIN 45635) / ARBEITSPLATZBEZOGENER EMISSIONSWERT (laut DIN 45635) / NIVEL RUIDO (acuerdo DIN 45635) / ШУМНОСТЬ (согласно DIN45635) / EMISSÃO DE RUÍDO (de acordo com a DIN 45635)	<70 dB (A)	<70 dB (A)

CARATTERISTICHE TECNICHE - CARACTERISTIQUES TECHNIQUES
 TECHNICAL FEATURES - TECHNISCHE DATEN
 CARACTERISTICAS TECNICAS - ТЕХНИЧЕСКИЕ ХАРАКТЕРИСТИКИ
 CARACTERÍSTICAS TÉCNICAS

	B51
PRODUZIONE ORARIA (CESTI) / DÉBIT PANIERS-H / BASKETS PER HOUR / KÖRBE PRO STUNDE / RENDIMIENTO HORARIO / ЧАСОВАЯ ПРОИЗ-СТЬ (КОРЗИНКИ) /	60/24
ALIMENTAZIONE ELETTRICA / ALIMENTATION ÉLECTRIQUE / ELECTRIC FEEDING / ELEKTRISCHER ANSCHLUSS / ALIMENTACION ELECTRICA / ЭЛЕКТРОПИТАНИЕ / ALIMENTAÇÃO ELÉTRICA	230/1 230/3 400/3+N
POTENZA MAX ASSORBITA / PUISSANCE TOTALE / TOTAL POWER / GESAMTANSCHLUSSWERT / POTENCIA MAXIMA / МАКС.ПОТРЕБЛЯЕМАЯ МОЩНОСТЬ / CONSUMO MÁXIMO DE ENERGIA	6,8 kW
RESISTENZA BOILER / RÉSISTANCE BOILER / BOILER HEATING ELEMENT / BOILERHEIZUNG / RESISTENCIA CALDERIN / НАГРЕВАТЕЛЬ БОЙЛЕРА / RESISTÊNCIA DA CALDEIRA	6 kW
RESISTENZA VASCA / RÉSISTANCE CUVE / TANK HEATING ELEMENT / TANKHEIZUNG / RESISTENCIA CUBA / НАГРЕВАТЕЛЬ ЕМКОСТИ / RESISTÊNCIA DO TANQUE	2,5 kW
POTENZA POMPA LAVAGGIO VENTILATA / PUISSANCE POMPE DE LAVAGE VENTILÉE / VENTILATED WASH PUMP / GELÜFTETE SPÜLPUMPE / POTENCIA BOMBA DE LAVADO VENTILADA / МОЩНОСТЬ НАСОСА МОЙКИ ВЕНТ. / POTÊNCIA DA BOMBA DE LAVAGEM VENTILADA	0,6 kW
PORTATA POMPA DI LAVAGGIO / DÉBIT POMPE DE / LAVAGE / PUMP DELIVERY / FÖRDERMENGE PUMPE / CAUDAL BOMBA DE LAVADO / ПРОИЗ-СТЬ НАСОСА МОЙКИ / CAPACIDADE DA BOMBA DE LAVAGEM	350 l/min
CAPACITÀ VASCA / CAPACITÉ CUVE / TANK CAPACITY / TANKINHALT / CAPACIDAD CUBA / ОБЪЕМ ЕМКОСТИ / CAPACIDADE DO TANQUE	35 l
CAPACITÀ BOILER / CAPACITÉ BOILER / BOILER CAPACITY / BOILERINHALT / CAPACIDAD CALDERIN / ОБЪЕМ БОЙЛЕРА / CAPACIDADE DA CALDEIRA	7 l
PRESSIONE ACQUA DI RISCIAQUO / PRESSION EAU DE RINÇAGE / RINSE WATER PRESSURE / NACHSPÜLWASSERDRUCK / PRESION AGUA DE ACLARADO / ДАВЛЕНИЕ ВОДЫ ПРИ ОПОЛАСКИВАНИИ / PRESSÃO DA ÁGUA PARA ENXÁGUE	2 ÷ 4 bar 200 ÷ 400 kPa
DUREZZA DELL'ACQUA / DURETÉ EAU / WATER HARDNESS / WASSERHÄRTE / DUREZA DE AGUA / ЖЕСТКОСТЬ ВОДЫ / DUREZA DA ÁGUA	8 ÷ 14 °F
TEMPERATURA MAX ACQUA IN INGRESSO / TEMPERATURE MAX EAU REMPLISSAGE / MAX. TEMPERATURE OF WATER SUPPLY / MAX TEMPERATUR ZUFLUSSWASSER / TEMPERATURA MAXIMA ENTRADA AGUA / МАКС.ТЕМПЕРАТУРА ВОДЫ НА ВХОДЕ / TEMPERATURA MÁXIMA DA ÁGUA DE ENTRADA	50 °C
CONSUMO ACQUA PER CICLO/QUANTITÉ EAU PAR CYCLE / WATER CONSUMPTION PER CYCLE/WASSERVERBRAUCH PRO ZYKLUS / CONSUMO AGUA POR CICLO/ПОТРЕБЛЕНИЕ ВОДЫ ЗА ЦИКЛ / CONSUMO DE ÁGUA POR CICLO	2,5 l
CICLO DI LAVORO / CYCLE DE LAVAGE / WASH CYCLE / SPÜLPROGRAMM / CICLO DE LAVADO / ЦИКЛ РАБОТЫ / CICLO DE LAVAGEM	60-150 sec
DIMENSIONI CESTO / DIMENSIONS PANIER / DIMENSIONS OF BASKET / KORBAVMESSUNGEN / DIMENSIONES CESTA / РАЗМЕРЫ КОРЗИНКИ / DIMENSÕES DA CESTA	50x50 cm
DOTAZIONE CESTO VECCHIERI / EQUIPEMENT PANIER VERRES / EQUIPMENT GLASS BASKET / GLÄSERKORBAUSSTATTUNG / CESTAS PARA VASOS / КОРЗИНЫ ДЛЯ БОКАЛОВ / CESTA DE COPOS	1
CESTO PIATTI / PANIER ASSIETTES / BASKET FOR DISHES / TELLERKÖRBE / CESTA PARA PLATOS / КОРЗИНА ДЛЯ ТАРЕЛОК / CAIXA DE PLACAS	1
CESTO POSATE / PANIER POUR COUVERTS / CUTLERY BASKET / BESTECKKORB / CUBILITE PARA CUBIERTOS / КОРЗИНА ДЛЯ СТОЛОВЫХ ПРИБОРОВ / CESTA DE CUTELARIA	1
PESO NETTO / POIDS NET / NET WEIGHT / NETTOGEWICHT / PESO NETO / ВЕС НЕТТО / PESO ÚTIL	90 kg

	<i>B51</i>
PESO LORDO / POIDS TOTAL / TOTAL WEIGHT / BRUTTOGEWICHT / PESO BRUTO / BEC БРУТТО / PESO BRUTO	100 kg
CAVO DI ALIMENTAZIONE ELETTRICA / CÂBLE D'ALIMENTATION ÉLECTRIQUE / POWER SUPPLY CABLE / STROMVERSORGUNGSKABEL / CABLE DE ALIMENTACIÓN / КАБЕЛЬ ПИТАНИЯ / CABO DE ALIMENTAÇÃO	H07RN-F 5x2,5 / 4x4 / 3x6 2 m
EMISSIONE ACUSTICA (secondo DIN 45635) / NIVEAU ACOUSTIQUE (selon DIN 45635) / NOISE LEVEL (according to DIN 45635) / ARBEITSPLATZBEZOGENER EMISSIONSWERT (laut DIN 45635) / NIVEL RUIDO (acuerdo DIN 45635) / ШУМНОСТЬ (согласно DIN45635) / EMISSÃO DE RUÍDO (de acordo com a DIN 45635)	<70 dB (A)

Translation of the original instructions



SAFETY INFORMATION

The dishwasher is intended exclusively for use in commercial applications and is designed for cleaning dishes, glasses, cutlery, trays and the like. Any other use of the dishwasher is not permitted.

1. General Security

- *Read the instructions carefully before installing and using the dishwasher.*
- *The dishwasher should only be used by persons trained in its use.*
- *Children are absolutely forbidden to use the dishwasher.*
- *Make sure that children do not play with the dishwasher.*
- *It is forbidden to remove or tamper with the dishwasher's safety devices.*
- *Do not use the dishwasher or its parts as a ladder, stand or support. Leaning or sitting on the open door of the dishwasher may cause it to tip over.*
- *It is recommended to always disconnect the power and water supply to the dishwasher when it is not in use.*
- *Immediately cut off the power and water supply to the dishwasher if water leaks.*

2. Installation and assembly

- *Installation must be carried out by qualified personnel in accordance with the manufacturer's instructions in the installation manual.*
- *When moving, do not push or drag the dishwasher to prevent it from tipping over. Use a suitable tool to lift and move the dishwasher.*

- *Level the dishwasher on the four adjustable feet to ensure stability. Make sure the floor is flat and stable.*
- *Connect the appliance to the power supply only after completing the installation.*
- *On completion of the installation, the installation technician must explain and demonstrate the operation of the dishwasher to the user. After ensuring that everything is clear, he must hand over the instruction booklet, which must be kept by the user.*

3. Hydraulic connection

- *To use the dishwasher continuously in short cycles, it is essential to supply it with hot water at a temperature of 50 °C.*
- *The inlet pressure, measured with the valve open, must vary between 2 and 4 bar (200 ÷ 400 kPa) for models B11, B21, B32 and B51, and between 3 and 4 bar (300 ÷ 400 kPa) for models B21D and B32D; for lower pressures, install an auxiliary pump with a flow rate of approx. 20 l/min; if the water pressure exceeds 4 bar (400 kPa), a pressure reducer calibrated for 4 bar (400 kPa) max. must be installed.*
- *The maximum level of the water outlet is approx. 50 mm (approx. 800 mm in the case of the drain pump version) for models B11 and B21 and approx. 65 mm (approx. 800 mm in the case of the drain pump version) for models B32 and B51, respectively.*

4. Electrical connection

- *Before connecting the dishwasher, make sure that the rating plate data correspond to the mains data.*
- *Effective earthing of the dishwasher is recommended. The company accepts no liability if this accident prevention regulation is not complied with or for damage resulting from incorrect electrical connections.*
- *A wall-mounted main switch (with characteristics appropriate to the maximum power installed) must be provided in order to isolate the dishwasher from the mains supply, under the conditions of*

overvoltage category III in accordance with the installation rules, during preliminary or maintenance work.

5. Use

- *Ensure that the crockery used is suitable for dishwashing.*
- *The use of industrial cleaning agents only is recommended. Avoid the use of foaming products.*
- *Do not touch the dishwasher if your hands are wet.*
- *Do not open the door or hood of the dishwasher too quickly.*
- *Do not immerse bare hands in the washing water. In case of accidental contact of water containing detergent with the eyes, wash with clean water and consult a doctor.*
- *It is stated that the noise pressure emission LpA is 65 dB variable within the KpA uncertainty of 2 dB. Noise measurements were carried out in accordance with EN ISO 4871.*

6. Routine maintenance and cleaning

- *Always disconnect the power supply before cleaning and maintenance.*
- *For routine cleaning and maintenance, only follow the manufacturer's manual.*
- *Do not use acidic or corrosive products to clean the dishwasher.*
- *Do not use materials, detergents and solutions containing chlorine or its derivatives to clean the dishwasher.*
- *Do not use scouring pads, abrasive sponges or steel brushes to clean the steel parts of the dishwasher.*
- *Avoid using water jets, pressure washers or steam cleaners to clean the dishwasher, to avoid damage to electrical equipment.*

7. Extraordinary maintenance and repairs

- *It is recommended to have periodic maintenance carried out by qualified personnel, and in particular to have the function of all safety devices checked.*

- *In the event of a fault or malfunction, switch off the dishwasher and contact an authorised service centre only.*
- *Only request original spare parts; otherwise no liability is accepted.*
- *If the power cable is damaged, it must be replaced by the manufacturer, the service department or other qualified personnel in order to avoid any danger.*

ATTENTION! The manufacturer of the appliance disclaims all liability for damage caused by incorrect installation, tampering, improper use, poor maintenance, installation of non-original spare parts, non-compliance with local regulations, inexperienced use and non-compliance with this manual.

Failure to observe even one of the above warnings will immediately invalidate the guarantee.

TECHNICAL FEATURES

The following installation instructions are meant for electric appliances only. The DATA PLATE showing all the appliance information is to be found on the front external panel of the tank (to access remove the front lower panel).

The appliances have been checked in accordance with the European directives down below:

- 2014/35/UE - Low Tension (LVD)
- 2014/30/UE - Electromagnetic Compatibility (EMC)
- 2006/42/EC - Machinery directive
- 2011/65/CE, 2015/863 UE - Rohs

and the particular reference norms.

Declaration of compliance

The manufacturer declares that the appliances of their production meet the above mentioned EEC directives and requires that installation be done observing the norms in force.

Norms and provisions

Installation operations, voltage conversions to other than the original, starting up the installation or appliance, and maintenance have to be done by qualified personnel following the manufacturer's instructions, observing the norms in force and in compliance with the following provisions:

- Building regulations and local fire prevention provisions
- Safety norms in force
- The Electrical Norms in force

INSTALLATION

Noise level < 70 dB (A)

Preliminary operations

Remove the appliance from the packaging, ensure that it is intact and, if in doubt, do not use it but contact professionally qualified personnel. The packaging materials are compliant with environmental safety regulations. They can be stored without risk, or else should be disposed of in accordance with current national regulations, particularly those regarding the nylon bag and the polystyrene.

After verifying that the appliance is in good conditions, the protective film may be removed. Clean the external parts of the appliance carefully with warm water and detergent, using a cloth to remove all remaining residues and then dry it with a soft cloth. If there are still traces of glue, these can be removed using a suitable solvent (e.g. acetone). Under no circumstances should abrasive substances be used. After the installation the appliance should be levelled by lowering or raising the adjustable legs.

PLUMBING CONNECTIONS

The dishwasher installation requires the connection of two hydraulic flexible pipes, supplied with the machine, and in particular:

- 3/4" water supply hose GAS with threaded connection;
- Ø1" drain hose for the models B11 and B21 and Ø1 ½ " for the models B32 and B51 (Ø1" for dishwashers fitted with drain pump).

With the exclusion of models with drain pump connect the drain hose of the machine to a suitable drain waste system, through a siphon on the floor near the machine. The maximum level of water discharge outlet is 50 mm (800 mm approx. for dishwashers with built-in drain pump) for the models B11 and B21 and 65 mm (800 mm approx. for dishwashers with built-in drain pump) for the models B32 and B51.

Connect the inlet pipe with a 3/4" GAS water supply protected by an interception valve.

The appliance is intended to be permanently connected to the water mains.

Before connecting, check the following conditions.

- The water supply pressure, measured with open valve, has to vary between 2 and 4 bars (200 ÷ 400 kPa) for the models B11, B21, B32 and B51 **and between 3 and 4 bar (300 ÷ 400 kPa) for the models B21D and B32D**; for lower pressures install a booster pump with delivery of 20 litres/min. For pressure over 4 bars (400 kPa) a pressure reducer set at 4 bars (400 kPa) has to be installed.
- The water hardness has to be between 8° and 14° F (0,8-1,4 mmol/l). For higher hardness install a water softener working by ion-exchange containing at least 6 litres of resin (not for models B21D and B32D). For the models B21D and B32D the water hardness has to be under 30°F (3 mmol/l); for higher hardness has to be installed an extern water softener with adequate capacity.
- If the machine is not equipped with a detergent dispenser, one can always be installed outside the machine by qualified personnel. The detergent dispenser must be electrically powered in parallel with the loading and hot rinse solenoid valve as indicated in the dishwasher's circuit diagram. The outlet pipe of the dispenser must be connected to the stainless steel hose holder with a diameter of 6 mm, welded to the front wall of the tank.

WARNING: If the machine works continuously with short cycles, it is necessary to connect it to hot water at 50° C.

ELECTRICAL CONNECTIONS


The machine is not supplied with a plug: it has to be connected to the electric mains only by qualified personnel through a main switch with circuit breaker on the wall, suitable for the maximum power installed, in order to have the possibility to exclude the appliance from the electric mains, under overvoltage category III in accordance with the wiring rules, during the preliminary operations or the maintenance.

If the supply cable is damaged, it must be replaced by the manufacturer, the service agent or similarly qualified persons in order to prevent an accident occurring.

It is mandatory to disconnect the power supply to the dishwasher via the wall switch when it is not in use or for prolonged periods of inactivity.

Before connecting the appliance, it is necessary to check that the voltage of the available power supply corresponds to the voltage the appliance has been set for. If they do not correspond, it is necessary to modify the connection as shown in the electric diagram, if voltage change is provided for.

Furthermore, it is necessary to check that the earthing wire is efficient, that the earth conductor on the connecting side is longer than the other conductors, that the connecting cable has a wire bunch adequate for the power absorbed by the appliance.

The dishwasher has to be connected also to a unipotential system of compensation through a screw placed on the lower back part of the machine and marked .

ATTENTION: during the electrical connection of a three-phase AC device it is necessary to check the direction of rotation of the washing pump.

WARNINGS: we recommend an effective earthing of the machine.

The company declines all responsibility if this accident prevention regulation is not respected or for damage caused by incorrect electrical connection.

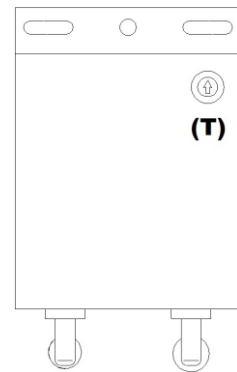
RINSE AID DISPENSER ADJUSTMENT

The rinse aid dispenser is supplied as standard and is of the peristaltic type. The detergent concentration is adjusted using the trimmer (T) located on the dispenser.

The trimmer is set by default to the medium position, which ensures smooth operation in most situations. Particular water hardness conditions or different types of rinse aid may require adjustment of the setting. Higher (or lower) rinse aid concentration is achieved by turning the trimmer clockwise (or anti-clockwise).

The dispenser dispenses approximately 0.7 cc of product per rotation of the motor. With the trimmer in the min position (all anti-clockwise), there is no dispensing; with the trimmer in the max position (all clockwise), there are 12 rotations/minute; with the trimmer in the medium position (factory setting), there are 6 rotations/minute.

In order to adjust the rinse aid concentration, after switching off the dishwasher - by first acting on the main switch (A) and then on the wall switch -, the lower front panel of the machine must be removed. Then turn the trimmer (T) clockwise or anticlockwise with a small slotted screwdriver.



Rinse-aid dispenser

DETERGENT DISPENSER ADJUSTMENT

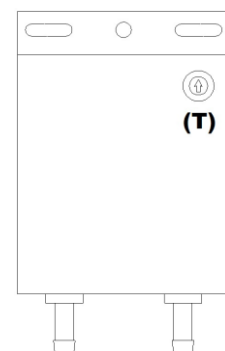
The detergent dispenser is supplied on request and is of the peristaltic type.

The detergent concentration is adjusted using the trimmer (T) on the dispenser.

The trimmer is set at the factory to the medium position, which guarantees smooth operation in most situations. Particular water hardness conditions or different types of detergent may require adjustment of the setting. Higher (or lower) detergent concentration is achieved by turning the trimmer clockwise (or anti-clockwise).

The dispenser dispenses approximately 2.6 cc of product per rotation of the motor. With the trimmer in the min position (all anti-clockwise), there is no dispensing; with the trimmer in the max position (all clockwise), there are 22 rotations/minute; with the trimmer in the medium position (factory setting), there are 11 rotations/minute.

In order to adjust the detergent concentration, after switching off the dishwasher - by first acting on the main switch (A) and then on the wall switch -, the lower front panel of the machine must be removed. Then act on the trimmer (T), turning it clockwise or anticlockwise with a small slotted screwdriver.



Detergent dispenser

OPERATING INSTRUCTIONS

CONTROL PANEL

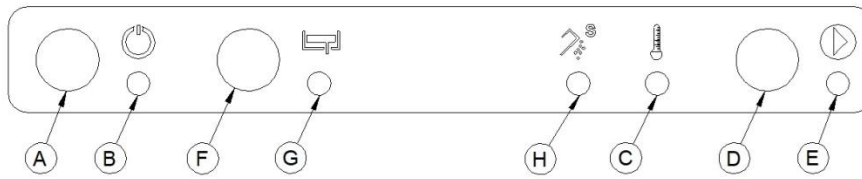
B11 - B21



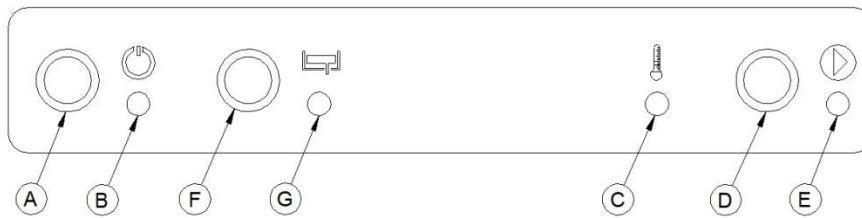
B21D



B21D + A4728



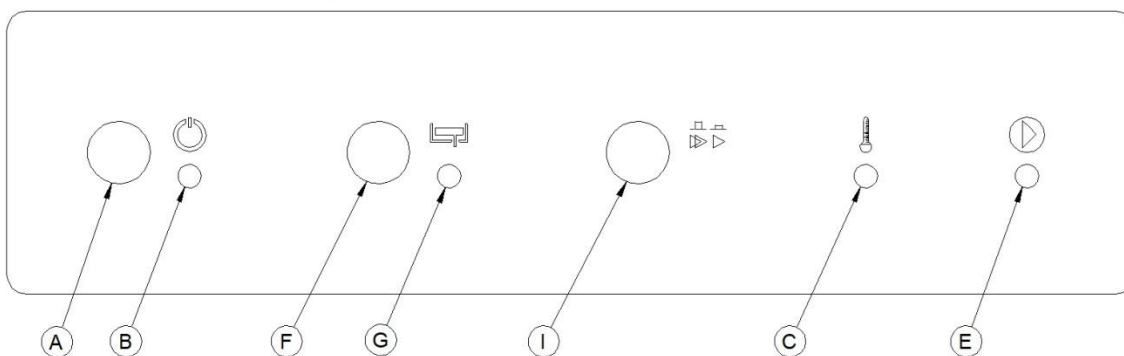
B32



B32D



B51



- A. ON/OFF switch
- B. Warning light “Dishwasher on”
- C. Warning light “Dishwasher ready to start”
- D. Cycle start button
- E. Indicator light “Work cycle in progress”
- F. Drain switch (active only on models equipped with drain pump)
- G. Warning light “Drain in progress” (active only on models equipped with drain pump)
- H. Lack of salt warning light
- I. Short/long cycle switch

PRELIMINARY OPERATIONS

Before starting the dishwasher it is necessary to carry out the following operations.

- Check that the filling and drain hoses supplied with the machine are connected to the water supply.
- The machine is supplied with a rinse aid dispenser and, on request, with a detergent dispenser, which are set in the factory during the dishwasher testing. Connect the dispensers to the relevant containers that are to be filled with chemicals. Use only low-density fluids, otherwise the devices could get clogged and broken. The intake pipes are positioned in the backside of the dishwasher: the transparent pipe is for the rinse aid, while the black one (when present) is for the detergent. **It is highly recommended the use of industrial detergents only. Avoid foaming products.**
- Check the right positioning of the detergent probe – if present –, since the use of the dispenser without liquid dry can damage or break the device.
- Check the right positioning of the pump intake filter.
- Check that the overflow pipe is in its place.
- Close the door or the hood of the dishwasher; open the water cock and check the electric feeding.

For the model B21D or B32D the water softener is activated as follows:

- open the dishwasher door, remove the overflow pipe from its seat and unscrew the cap of the salt tank;
- fill the tank with water until it overflows;
- slowly introduce about 0.9 kg of cooking salt into the same tank, using a funnel: during this operation, the water previously introduced will overflow partially from the tank to the drain;
- carefully clean the cap seal and the tank neck before closing it in an accurate way;
- switch the dishwasher on using the switch (A), close the door without positioning the overflow pipe and slide the water for a few seconds, so as to facilitate the removal of salt residues from the tank;
- reposition the overflow pipe in its housing.

WATER FILLING AND HEATING



With reference to the picture of the front panel, push the general switch (A) to switch the dishwasher on and the lamp (B) will light on at the same time. The dishwasher fills water into the tank automatically up to the set level, and it switches the boiler and tank heating elements on. When the set temperatures are reached, the light (C) comes on, showing that the dishwasher is ready for starting the washing cycle.

N.B. The internal thermostats are set by the manufacturer at the following temperatures:

- boiler temperature: **82,5 °C**;

- wash tank temperature: **55 °C**.

WASHING CYCLE

- Open the dishwasher door or hood and fill the tank with some detergent (except for the versions with built-in detergent dispenser). The tank has a capacity of 8 litres in the model B 11 and of 10 litres in the model B 21 and B21D, of 26 liters for the models B32 and B32D and of 35 liters for the model B51; therefore, the detergent, which has to be suitable for industrial dishwashers, is to be put in the tank according to the quantities suggested by its manufacturer.
- Place the dishes in the baskets after removing all the solids in order to achieve the best washing results.
- In the model B51 only select the washing cycle in the following way:
 - the position  of the switch (**I**) refers to the short cycle for lightly soiled dishes or for glasses;
 - the position  of the switch (**I**) refers to the long wash cycle.
- Slide the basket into the dishwasher.
- In the models B11, B21, B21D, B32, B32D: push the button (**D**) for about a second, till the washing pump starts. In the model B51 simply close the hood and the dishwasher will start.
- The dishwasher begins the washing and rinsing cycles automatically, as shown by the lamp (**E**), and it starts the rinse-aid dispenser automatically. Between the washing and the rinsing there is a dripping pause. When the working cycle comes to its end, the lamp (**E**) turns off.
- In order to begin a new working cycle, repeat the above operations and add detergent every 3-4 cycles (not in the models with built-in detergent dispenser).
- Before switching off the dishwasher, check that the working cycle is completely finished and push the main switch (**A**). This operation is signaled by the switching off of the light (**B**).

MODELS WITH BUILT-IN DRAIN PUMP

In the versions with built-in drain pump, the drain pump starts working under the following conditions.

- When the filling solenoid valve works. This is the normal working condition of the drain pump, which eliminates the exceeding water in the tank through the overflow pipe during the filling or rinsing phases. This operation is signaled by the lighting of the lamp (**G**).
- When the water in the tank is completely drained. Check that the machine has finished the washing cycle (the lamp (**E**) is off) and that the main switch (**A**) is on (the lamp (**B**) is on). Remove the overflow pipe, keep the door open, and push the switch (**F**). The draining operation is signaled by the lighting of the lamp (**G**). When the water in the tank is completely drained, switch off the drain pump by pushing the switch (**F**). The switching off of the lamp (**G**) signals that the operation is finished.

REGENERATION OF RESINS (models B21D and B32D)

The B21D and B32D models are equipped with a water softener that prevents the formation of limestone deposits inside the dishwasher. Its use is recommended for water hardnesses from 8 to 30 ° F. For higher hardness is recommended the use of an external water softener of suitable capacity. The regeneration of the softener resins occurs automatically at the end of a predetermined number of work cycles. During the resin regeneration operation it is possible to continue to use the dishwasher normally.

If there is no salt for the regeneration, the light (**H**) flashes and at this point the regeneration cycle is stopped: therefore, at the end of the cycles available before the automatic regeneration, the light (**H**) stays on and the machine remains locked until the salt in the tank is restored.

To replenish the salt, proceed as follows:

- Drain the water from the wash tank of the dishwasher by removing the overflow pipe from its seat; in models equipped with a drain pump, also follow the instructions given in the **VERSIONS WITH BUILT-IN DRAIN PUMP** section;
- unscrew the cap of the salt tank;
- slowly add cooking salt into the tank with the aid of a funnel until it is completely filled (about 0.9 kg of salt), allowing excess water to flow towards the drain;
- carefully clean the cap seal and the tank neck before accurately closing it;
- close the door of the dishwasher without the overflow pipe and slide the loading water for a few seconds, so as to facilitate the evacuation of salt residues from the tank;
- reposition the overflow pipe and close the door for new filling.

SAFETY SYSTEMS

- The opening the door stops every operation of the dishwasher, except for the heating of the water in the boiler and in the tank. The closing of the door re-starts any interrupted operation.
- The level switch checks the water level in the tank automatically and it enables the machine to work only when the heating elements are below the water level both in the boiler and in the tank.
- The washing pump is provided with a thermal control, which stops its working in case of thermal overload.
- An overflow pipe drains the exceeding water that has been brought in during the rinsing cycle, and it enables a continuous change of water in the tank. It also avoids the water overflowing in case of bad working of the pressure switch.

It is highly recommended to turn off the tap of filling water when the dishwasher is not working.

CARE AND MAINTENANCE OF THE DISHWASHER

ATTENTION! Before doing any cleaning, make sure that the appliance is disconnected from the electric mains. During cleaning operations, avoid using direct or high pressure sprays of water on the appliance. Cleaning must be done when the appliance is cold.

DRAINING AND CLEANING

At the end of the working day it is necessary to carry out the following operations.

- Drain the water from the tank by removing the overflow pipe from its place. (For models with built-in drain pump also follow the instructions in the **MODELS WITH BUILT-IN DRAIN PUMP** section.)
- Switch off the appliance, first turning off the main switch and then the main switch on the wall.
- Clean the internal part of the tank, removing the solids on the bottom of the tank.
- Check the openings of the washing arms carefully and clean them if they are obstructed.
- Remove the filter and clean it carefully.

STAINLESS STEEL PARTS CLEANING

Clean all the stainless steel parts accurately by using soaped water or common degreasing products. Do not use abrasive powders or iron wool.

Do not use water jets to wash the dishwasher outer parts, so to avoid damages to electric appliances.

PERIODIC MAINTENANCE

Periodically the rinsing nozzles are inspected and cleaned, removing any deposits.

When necessary, descale and disinfect the tank using products normally available on the market. This operation is particularly recommended for the good working of the heating elements.

Steel parts can be cleaned with warm water and neutral detergent, using a cloth. The detergent should be suitable for cleaning stainless steel and should not contain abrasive or corrosive substances. Do not use ordinary steel wool or anything similar, as this can deposit rust-forming iron particles, and avoid contact of iron objects with the stainless steel. It is also inadvisable to use sandpaper or emery paper. Pumice powder should only be used for heavily encrusted dirt; however, a synthetic abrasive sponge or stainless steel wool used in the direction of the glazed finish would be preferable. After washing, dry the appliance with a soft cloth.

When cleaning, abrasive powders of any type, chlorine-based detergents and bleach should all be avoided.

The stainless steel should not be exposed to prolonged contact with concentrated acidic substances (vinegar, condiments, spice mixtures, concentrated kitchen salt...) as these can create chemical and physical conditions that damage the passivation of the steel; it is therefore advisable to remove these substances using clean water.

If the appliance is out of use for a long time, it is advisable to turn off the gas tap. Then disconnect the main electricity supply and wipe all stainless steel surfaces with a cloth soaked in vaseline oil in order to give it a protective film and air the rooms now and again.

WARNING: Never use substances, detergents and other solutions containing chlorine or its by-products. In order to remove any possible scale-marks, do not use products containing salt or sulphuric acid; suitable products are to be found in the market or, alternatively, a solution diluted in acetic acid can be used.

While cleaning the appliance, do not use inflammable liquids.

SOME MALFUNCTIONS AND THEIR POSSIBLE SOLUTIONS


<i>Malfunction</i>	<i>Possible cause</i>	<i>Possible solution</i>
The dishwasher does not switch on (the light (B) stays off)	The ON/OFF switch (A) is in OFF position	Turn the ON/OFF (A) in the ON position
	The wall switch is in the OFF position.	Turn the wall switch in the ON position.
	There is no voltage supply.	Check the connection to the electricity network.
	The power cable is broken.	Turn the wall switch to the OFF position and call your after-sale service for the replacing of the cable.
The dishwasher does not fill water or it fill water too slowly; there is no rinsing or the rinsing is not good enough.	The water supply tap is closed.	Open the water supply tap.
	The filter of the water supply tap is clogged.	Clean the filter of the water supply tap.
	The filter of the solenoid valve is clogged.	Clean the filter of the solenoid valve.
	The nozzles of the wash arm are dirty.	Clean the wash nozzles.
	The water pressure is too low (lower than 2 bar).	Call your after-sale service for the installation of a booster pump.
	The solenoid valve is broken.	Call your after-sale service for the replacement of the solenoid valve.
	The level pressure switch is off or broken.	Call your after-sale service to check the air bell, its pipe, the level pressure switch and eventually replace the level pressure switch.
The dishwasher doesn't stop filling water.	The air bell is clogged.	Clean the air bell.
	The level pressure switch is of or broken.	Call your after-sale service to check the air bell, its pipe, the level pressure switch and eventually replace the level pressure switch.

<i>Malfunction</i>	<i>Possible cause</i>	<i>Possible solution</i>
The water is not heated or the heating is too slow.	One or more electric components (heating elements, thermostats, remote switch) are broken.	Call your after-sale service for the replacement of the faulty component.
	One or both the heating elements are encrusted of limestone.	Make descaling using appropriate products.
	The boiler safety thermostat has been activated.	Call your after-sale service to unlocking the thermostat and understanding the failure.
The wash results are not good enough.	The nozzles of the wash arm are dirty or clogged.	Clean the nozzles of the wash arm.
	The wash arm doesn't turn properly.	Place the dishes so that they don't stop the wash arm.
	The heating of the water in the tank has not been completed.	Wait for the light (C) to come on before starting the wash cycle.
	The water in the tank is dirty.	Drain the dirty water and fill the tank with fresh water.
	The intake filter of the wash pump is clogged.	Clean the intake filter of the wash pump.
	The quantity of the detergent or of the rinse aid is not enough or not adequate.	Verify the type and quantity of the detergent and of the rinse aid.
Excessive foam in the tank.	The heating of the water in the tank has not been completed.	Wait for the light (C) to come on before starting the wash cycle.
	The quantity of the rinse aid is too much.	Adjust the rinse aid dispenser.
	The detergent is not suitable.	Avoid the use of foaming products. If a foaming product has been used, empty and refill the tank without the overflow pipe until the foam disappears.

<i>Malfunction</i>	<i>Possible cause</i>	<i>Possible solution</i>
The dishwasher doesn't drain the water; after the drain remains water in the wash tank.	The drain pipe is clogged or flattened; the waste drain is clogged.	Clean the drain pipe or the waste drain.
	The position of the drain is too high.	Call your after-sale service for the installation of a drain pump
	The drain pump is faulty.	Call your after-sale service for the replacement of the drain pump.

In the event that the problem persists, contact the your after-sale service indicating model and serial number of your dishwasher and the type of malfunction.

Information for electrical and electronic devices used in EU countries

The devices, which are marked with the following symbol , may not be disposed of with household refuse in accordance with the EU directive.

To eliminate your used device, please use the country-specific differentiated collection systems available or contact your retailer, when you buy an equivalent device.

By actively using the offered collection systems, you make your contribution to the reuse, recycling and utilisation of electrical or electronic devices, protecting the atmosphere and the health.

Abusive product disposal is punishable by law in accordance with current legislation.

WHEN SUBSTITUTING, ONLY ORIGINAL SPARE PARTS SUPPLIED BY THE MANUFACTURER MUST BE USED. THE OPERATION MUST BE CARRIED OUT BY AUTHORIZED PERSONNEL.

ATTENTION! In the event that components of the gas installation are substituted, it is necessary to check for tightness and the correct functioning of the various parts.

THE MANUFACTURER RESERVES THE RIGHT TO MODIFY WITHOUT NOTICE MODIFY THE FEATURES OF THE APPLIANCES DESCRIBED IN THIS MANUAL.

We reserve the right to make technical changes.

Marketed globally by:

TRUFROST AND BUTLER PRIVATE LIMITED

1215, 12th Floor, Tower B, Emaar Digital Greens, Golf Course Extn. Road,

Sector 61, Gurugram – 122011 (India)

T. +91-7303166766 info@trufrost.com

www.trufrost.com