



USER MANUAL

**Singel Deck, Double Deck, Three Deck
Electric Oven (2, 3, 4, 6, 9 Trays):**

EDO 1D-2T Premia

EDO 2D-4T Premia

EDO 3D-6T Premia

EDO 1D-3T Premia

EDO 2D-6T Premia

EDO 3D-9T Premia

1. Brief Introduction

This series of products, with a novel style, bright colors & luster and practical structure, have the characteristics of convenient operation, speedy temperature rising, excellent heat-preserving performance, energy saving, etc., and are suitable for baking food such as various kinds of cakes, cookies, meat and medicinal materials, etc.. Bread and cakes roasted with this type of products, that are known as the optimal baking devices, will be uniform in colors & luster, eat crisp & palatable, and be perfect in the aspects of both flavor and taste.

Please read this Operation Manual carefully before operation and keep it properly.

2. Performances and Features

Each layer of baking ovens under this series can be controlled separately, and the upper temperature and the bottom temperature can also be regulated respectively, several layers can be put into operation simultaneously, or one single layer can be used independently. The temperature of a baking oven can be discretionarily adjusted within the range of 20~300°C and could be automatically detected on scheduled time.

This baking oven has been equipped with an over-temperature protection device. In case that the malfunction of a automatic temperature controller occurs with the power supply on and the heat-emitting tube in operation, the electric connections of the main power supply will be automatically Switched off, so as to avoid the occurrence of fire and electric shock, as well as to insure the security of persons and surrounding environment.

3. Basic Technical Parameters

Type	Voltage Rating (V)	Frequency Rating (Hz)	Power Rating (KW)	Temperature Range (°C)	Production Capacity (kg/h)	Time of Temperature Rising (min)	Overall Dimension L×W×H (mm)	Weight (kg)
EDO-1D-2T	220V	50	6.6	20~300	20	15	1250×845×615	119
	380V 3N~							
EDO-2D-4T	380V 3N~	50	13.2	20~300	40	15	1250×845×1220	150
EDO-3D-6T	380V 3N~	50	19.8	20~300	60	15	1250×845×1615	245
EDO-1D-3T	380V3N~	50	8.4	20~300	30	15	1670×845×615	120
EDO-2D-6T	380V 3N~	50	16.8	20~300	60	15	1670×845×1220	230
EDO-3D-9T	380V 3N~	50	25.2	20~300	90	15	1670×880×1580	280

4. Notices on Installation and Operation Environment

1. This device is for indoor operation only, which can be placed on the ground or on the top of a firm stand, and should be over 20 cm apart from the wall. It is forbidden for a baking oven to be placed close or adjacently to a wooden wall, wooden ground or wooden surface of table, and it is also strictly forbidden for any combustible matter to be placed around a baking oven, so as to avoid any fire.

2. All electrical connection work should be performed by qualified professional technicians. The voltage of power supply should conform to that indicated on the nameplate. Main circuit breakers or switches, with long disconnecting spacing between contacts (disconnecting spacing between contacts should not be less than 3mm) and all poles that can be disconnected, should be equipped with. Leakage current protection switches with technical parameters shown in table attached hereunder should also be foreseen:

Type of Baking Oven	Technical Parameters of Leakage-Current Protection Switches		
	Current Rating In(A)	Rating of Trigger Leakage Current $\leq I\Delta n(\text{mA})$	Qty of Poles and Voltage
EDO-1D-2T	32	30	2poles-220V
	10		4poles-380V
EDO-2D-4T	20	30	4poles-380V
EDO-3D-6T	32	30	4poles-380V
EDO-1D-3T	15	30	4 poles 380V
EDO-2D-6T	32	30	4poles-380V
EDO-3D-9T	40	30	4poles-380V

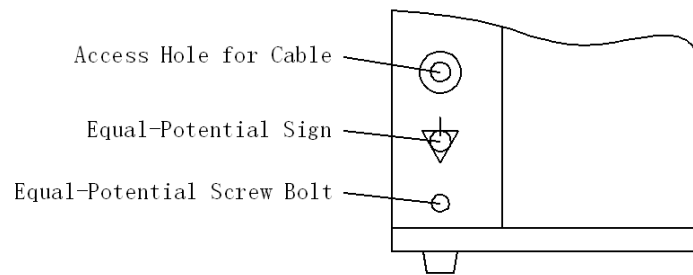
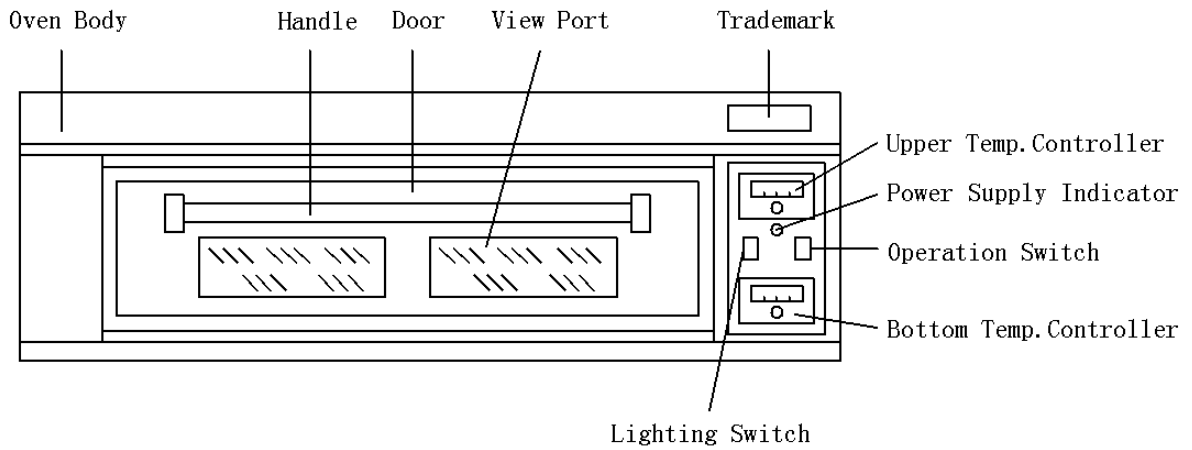
3. The protection grade for electrical components that are reachable is Category1, wires in the two colors yellow and green are used for grounding, which should be securely connected with the grounding conductors conforming to relevant national regulations on marking secure use of electric power.

Caution: connecting the grounding wires to any water supply conduit, gas supply conduit or heating supply conduit are strictly prohibited, or else, unexpected harmful accidents will probably happen.

4. An equal-potential connection terminal is mounted on the rear side of the device, which should be reliably connected to equal-potential connections on other equipments via copper-core wire with section area of $2.5\text{mm}^2 \sim 10\text{mm}^2$.
5. The environmental temperature for the operation of this baking oven is $-10 \sim 40^\circ\text{C}$. The relative humidity should no more than 85%.
6. The power supply should be switched off immediately in case of any malfunction of the baking oven. Check and repair should be carried out by qualified professional personnel. Unqualified curbstone people should not make bold to open the cover of the electrical cabinet in order to avoid any possible damage.

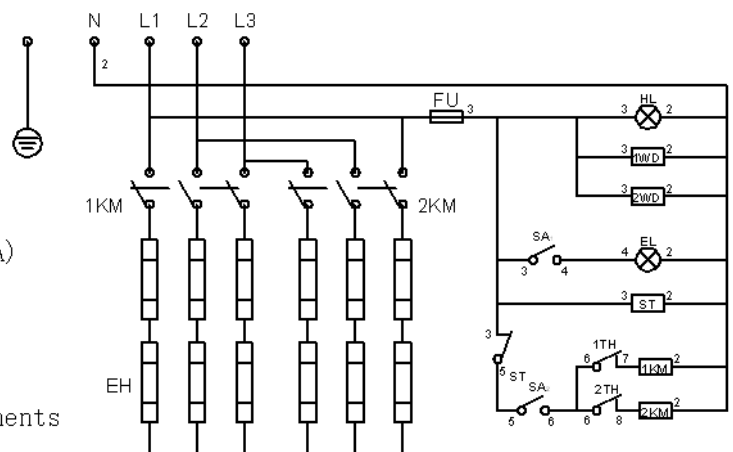
5. Operation, Repair and Maintenance

1. Switch on the power supply, turn the “operation” switch on the panel to the “ON” position, Adjust the temperature controllers for “upper temperature” and the “bottom temperature.” to the desired value, then the baking oven will begin operation, the green indicator lamps on the temperature controllers will be on. In case that the temperature reach the set value, the green indicator lamps will be off, indicating that the exothermic tubes stop heating and get into a constant temperature state, then, the temperatures will be automatically adjusted according to the set temperatures.
2. The users can adjust the bottom temperature as per baking requirements for different food so that the ideal color and luster of roasted food could be achieved.
3. Lighting devices equipped for the baking oven will facilitate taking an observation on the oven’s interior situation.
4. When the baking work is finished, turn the “operation” switch on the panel to the “OFF” position, then switch off the power supply.
5. The waterproof grade of this baking oven is Generic Category, therefore, it is for indoor operation only. Placing the baking oven at a location with a spray of water or cleaning it with water jetting is strictly prohibited.
6. The mode of power supply connection for this device is X-mode, users are permitted to change the wires for power supply on their own decision, but the wires must be the cable type Yzw or Yow with rubber-protection cover.
7. Periodic check should be made on the electrical insulation and conductor connection, at least once every half a year.
8. The baking oven should be placed at a dry and drafty location, and should be kept clean. When the surface gets dirty, clean it with water plus a little chemical neutral detergent, and dry it properly with wet cotton cloth.
9. In case that the baking oven is out of operation for a long-term period, it should be kept clean and placed at a location that is dry and drafty.



6. Electrical Principle Diagram

- Wj-non-automatic-reset thermal relay
- FU-fuses(current rating of conductor;2A)
- HL2-Inner lighting lamp
- 1KW 2KW-AC contactors
- 1WD 2WD-Temperature controllers
- K1-Lighting switch
- EH-Tube-shaped electro-thermal c components
- HL1-Electric power supply indicator
- K2-Operation switch



This drawing is for your reference only, and is subject to change without additional notice.

7. Generic Breakdown and Remedy

BREAKDOWN	POSSIBLE CAUSE	REMEDY
The leakage current protection switches trip off.	Leakage current from electric components occurs.	Find out the error component, repair or replace it.
The duration of temperature rising is too long.	1.The input voltage is too low. 2.Blowout of a fuse induces open circuit of some phase.	Find out the causes inducing low voltage and eliminate the error. Replace the broken fuse.
Fail to adjust the temperature.	Malfunction of temperature controllers.	Repair or replace the temperature controllers.
The color and luster of food on the same layer or different layers are not consistent.	1.Check for the tightness of the closed door. 2.The voltages of three phases are not equal to each other.	Close the door tightly. Find out the causes inducing inconsistent phase voltages and eliminate the error.
Malfunction exists when opening or closing the door.	Check the lubricant oil of the spring mechanism for opening and closing.	Add lubricant oil periodically (monthly).

8. Remarks

Products under this series are based on the advanced technology of far infrared ray, which are suitable for application in baking various kinds of cakes, cookies, meat and medicinal materials. Excellent performances of this device will be achieved under appropriate operation and proper maintenance. Please read this Operation Manual carefully before operation.

Marketed globally by:

TRUFROST COOLING PRIVATE LIMITED

1215, 12th Floor, Tower B, Emaar Digital Greens, Golf Course Extn. Road,
Sector 61, Gurugram – 122102 (India)

T. +91-7303166766 info@trufrost.com

www.trufrost.com