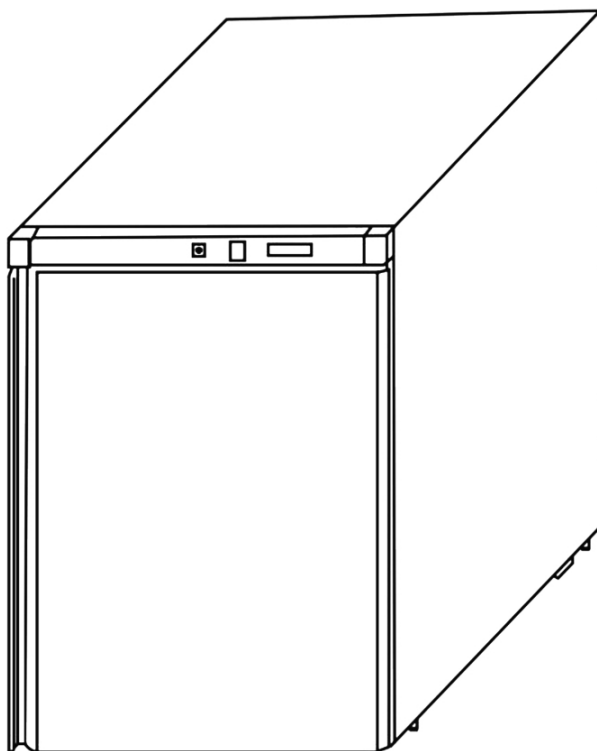




USER MANUAL

Glass Froster (SS): GF-201SS



MANUAL OF GF-201SS

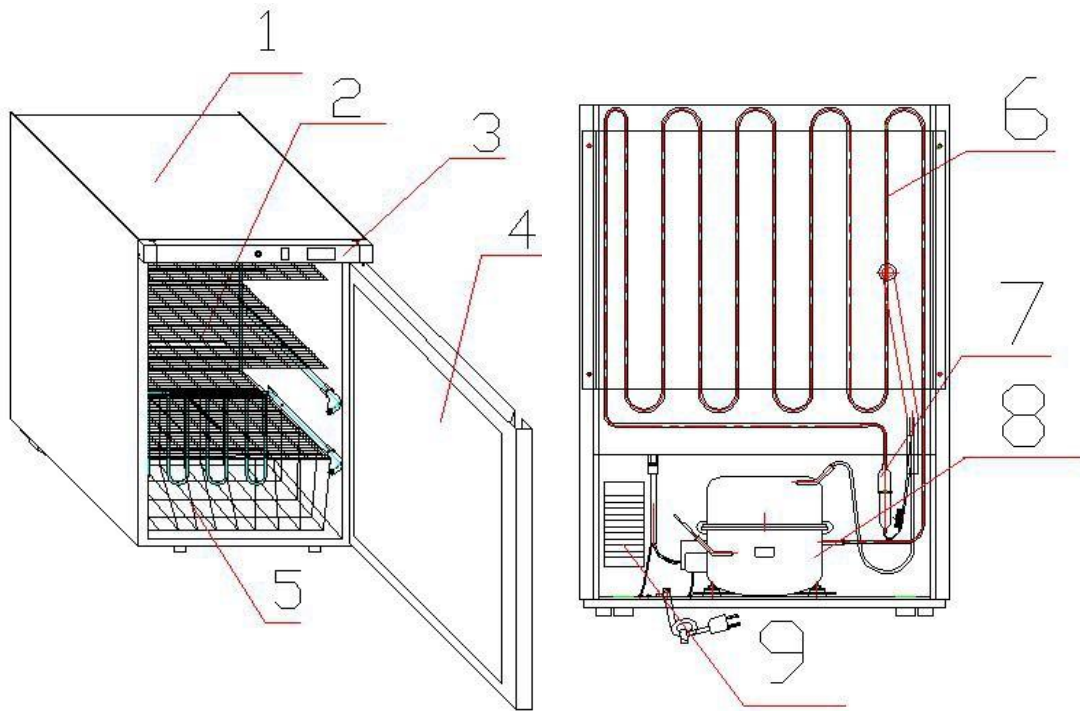
Thank you very much for choosing our refrigerator—GF-201SS, we will do our best to service you. Before using the product, please read this manual, it will help you to operate the machine correctly, and please also keep this manual well.

I . SAFETY AND INSTALLATION :

1. PLEASE PAY ATTENTION TO THE WORK ENVIRONMENT, THIS EQUIPMENT SUIT THE SUB-TROPIC CLIMATE AND CAN BE USED IN THE AMBIENT TEMPERATURE RANGE FROM 10~38°C
2. INPUT VOLTAGE:220~240VAC 50Hz, CLASS I. TO REDUCE THE RISK OF FIRE, ELECTRIC SHOCK OR INJURY WHEN USING YOUR REFRIGERATOR, FOLLOW THESE BASIC PRECAUTIONS:
 - a. PLUG INTO GROUNDED 3 PRONG OUTLET;
 - b. DO NOT REMOVE GROUND PRONG;
 - c. DO NOT USE A ADAPTER;
 - d. DO NOT USE EXTENSION CORD;
 - e. DISCONNECT POWER BEFORE SERVICING
3. PLEASE SET THIS EQUIPMENT BY PROFESSIONAL ELECTRICIAN ;
4. THE REFRIGERATOR SHOULD BE PLACED ON A HORIZONTAL PROPERLY LEVELED SURFACE. DURING USING,THE INCLINE ANGLE OF THE CABINET SHOULD NOT BE OVER 10°, OTHERWISE, THE REFRIGERATOR CAN NOT WORK NORMALLY.
5. TO ENSURE PROPER VENTILATION SPACE FOR YOUR REFRIGERATOR, ALLOW 150mm SPACE ON THE TOP, BACK OF THE REFRIGERATOR.
6. DURING USING, PLEASE REFER PARAMETER OF PAGE 3,4 AND DEBUG THE REFRIGERATOR ACCORDING TO THE INDICATION.
7. IF GET TROUBLE, PLEASE REFER SOLUTION OF PAGE 5 OR CONTACT THE SALES SERVICE MAN.

II . STRUCTURE INTRODUCTION

MODEL: GF-201SS



- 1.CABINET 2. F EVAPORATOR 3.DIGITAL CONTROLLER 4.DOOR
5.DRAWER 6. CONDENSER 7. FILTER 8.COMPRESSOR 9.CIRCUIT BOX

III. OPERATION OF THE TEMPERATURE CONTROLLER:

1. TEMPERATURE ADJUSTER : PRESS BUTTON “SET” WITH SHINING, THEN PRESS THE BUTTONS “▲” OR “▼” TO CHANGE THE TEMPERATURE。PRESS BUTTON “▲” OR “▼” OVER 2 SECONDS, THE TEMPERATURE CAN BE INCREASED OR DESCENDED CONTINUOUSLY。DO NOT TOUCH ANY BUTTONS OVER 6 SECONDS,

THE TEMPERATURE CONTROLLER WILL DISPLAY THE REAL INSIDE TEMPERATURE OF THE CABINET.

(CONTROL OF THE TEMPERATURE RANGE: PARAMETER E1~E2)

2. DEFROST/ UNDEFROST: PRESS BUTTON “DEFROST” OVER 6 SECONDS, YOU CAN DEROST OR STOP DEFROST. WHEN IT IS DEFROSTING, THE LIGHT IS SHINING.。
3. COOLING INDICATION LIGHT: DURING COOLING , THE LIGHT OF THE COOLING INDICATION IS BRIGHT; DURING THE NORMAL TEMPERATURE, THE LIGHT OF THE COOLING INDICATION IS UNBRIGHT; DURING DELAY COOLING , THE LIGHT OF THE COOLING INDICATION IS GLINTING.。
4. PARAMETER SET: PRESS BUTTON “SET” OVER 6 SECONDS , YOU CAN ADJUST THE

PARAMETERS , AT THE SAME TIME, THE DIGITAL SCREEN WILL DISPLAY GLINTING “E1”, PRESS THE BUTTON “SET” AGAIN THE E2E3E4E5F1F2C1E1 WILL BE SHOWED IN TURN. AFTER THAT, PRESS THE BUTTON “▲”OR“▼” TO ADJUST AND SET THE PARAMETERS DO NOT TOUCH ANY BUTTONS OVER 6 SECONDS, THE CONTROLLER WILL RECOVER AS USUAL.

PARAMETER	FUNCTION	ADJUSTMENT RANGE	FACTORY SET
E1	LOWEST TEMPERATURE	−45°C/−45°F	−20°C/−4°F
E2	HIGHEST TEMPERATURE	45°C/113°F	20°C/68°F
E3	RANGE BETWEEN LOWEST AND HIGHEST TEMPERATURE	1~10°C/1~18°F	4°C/7°F
E4	START DELAY	0~10 MINUTES	2 MINUTES
E5	TEMPERATUR	−20~20°C/−36~36°F	
F1	DEFROST TIME	1~60 MINUTES	20 MINUTES
F2	DEFROSTCYCLE	0~24 MINUTES	6 MINUTES
C1	TEMPERATURE	C=CELSIUR	C

5. RETURN TO FACTORY SET: PRESS BUTTON“▲” TWO TIMES CONTINUOUSLY, THEN PRESS “▼” SIX SECONDS, THE DIGITAL SCREEN WILL BE GLINTING, AT THE MOMENT, THE FACTORY SET IS RETURNED. AND SIX SECONDS LATER, REFRIGERATOR WILL COME TO NORMAL WORK。

IV. TROUBLESHOOTING

NO	PROBLEM	POSSIBLE CAUSE	SUGGESTION SOLUTION
1	BLACK SCREEN	PLUG IS NOT SET WELL	SET THE PLUG WELL
2	THE CABINET IS ELECTRIC	GROUND PRONG IS UNNORMAL	CHECK THE PLUG AND THE GROUND PRONG, AND SET THEM WELL
3	DISPLAY “HH”	SENSOR IS TURNOFF	CONNECT THE SENSOR WELL
		SENSOR HIGH TEMPERATURE OVER THE LIMIT	CHECK THE COOLING SYSTEM
4	DISPLAY “LL”	SENSOR IS SHORT CIRCUIT	CHECK THE SESOR WIRE, IF IT IS BROKEN
		SENSOR LOW TEMPERATURE OVER THE LIMIT	CHECK THE CONTROLLER, IF IT WORK WELL

TRUFROST COOLING PRIVATE LIMITED
1214 & 1215, Tower B, Emaar Digital Greens,
Golf Course Extn. Road, Sector 61, Gurugram – 122011, Haryana,
India T. +91-7303166766 info@trufrost.com
www.trufrost.com