



USER MANUAL

**Premium 2 Proofing
Cabinet for 12 trays
PC 12 Black Italia**

Brief Introduction

This is a new generation of electric-heating products that have been developed basing on the principle and requirements of bread fermentation. The traditional fermenting devices can only control the heating humidity of water and the heating temperature of gas, but have not the function of adjusting the humidity. By means of advanced electronic temperature and humidity controllers, the temperature and humidity inside the boxes of this series of products can be adjusted respectively. Making use of electro-thermal tubes and through electronic temperature control circuits, the most appropriate environment for fermentation of bread is achieved when the humidity inside the boxes is adjusted to a range of 80-85% while the temperature is adjustde to a range of 35-40°C, which facilitates the full fermentation of bread moulds during their latter fermentation processes after they have been formed. The products come with advantages such as compact design, beautiful and dignified appearances, convenient operation and reliable functionalities,etc., which therefore are absolutely necessary equipments used to improve the quality of bread productions.

Please read this Product Instruction carefully before use, and keep it appropriately for further reference.

Key Technical Parameters

Type	Voltage Rating (V)	Frequency Rating (Hz)	Power Rating (kw)	Overall Dimension L×W×H(mm)	Production Capacity (kg/h)	Weight (kg)	Max. Load (kg)
PC 12 Black Italia	220V	50	2.6	1250x815x905	20	59	

Notes: 1.Production capacity is based on the output of bread. 2.All data are subject to change without notice.

Installation

1. The series of machines should be used only in an indoor environment where the relative humidity is within the range of 45-85% and the temperature is higher than 5°C. The machine body should be placed firmly and evenly. The space between the machine body and the wall should be no less than 10cm. The wheels should be locked so as to avoid any possible movement of the machine body. The series of machines should not be adjacent or close to floor and wall that are made of wood. Items that are combustible or flammable should not be placed around the machines.
2. Two-poled electric switches should be equipped in the power supply circuits, and the disconnection spacing between the two poles of a switch should be large enough (disconnection spacing between the two poles of a switch should exceed 3mm); Furthermore, the power supply circuit should be equipped with a leakage protection circuit breaker with 2 poles, 220V voltage rating, 16A current rating, and a tripping current rating≤30mA.
3. Protection category for the parts in contact with electricity is I grade, Earthing wires should be reliably connected to protective earthing conductors that are in accordance with the relevant national security regulations.

Warning: The electric conductors are strictly prohibited to be connected with water supply pipes, natural gas pipes and caliducts, otherwise, security accidents would be induced.

4. An equal-potential connection screw is foreseen on the back area of the machine. In case that any other equipments inside the same room have equal-potential connections, the equal-potential connection screw of this machine should be connected to an equal-potential terminal of the other equipments through a copper conductor with a section area of no less than 2mm².

Operation Procedure

1. Before operation, pour water into the water tank until the surface of water reaches a height of 10cm.
2. Insert the three-pole power supply plug of the Awaken Fermenting Box into a proper socket, and then turn on the circuit breaker in the power supply circuit, at this moment, the power supply indicator lamp will

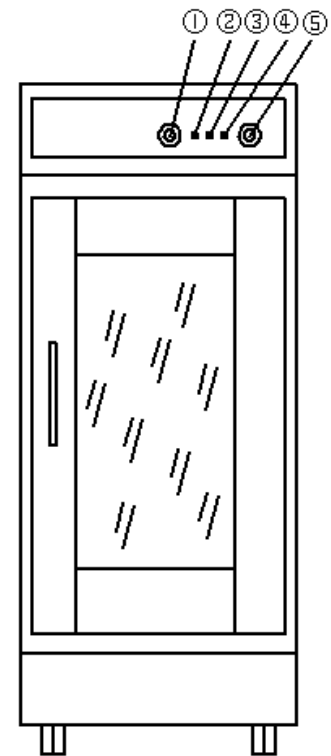
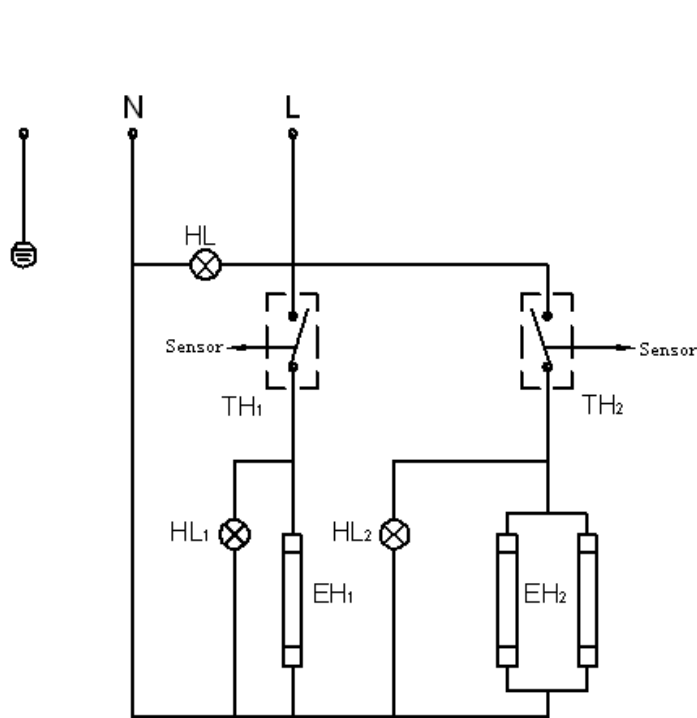
light(red). Turn the temperature and humidity control knobs on the control panel to desired position, and then, the temperature and humidity indicator lamps will light(green), indicating that the Awaken Fermenting Box is in operation and is capable of automatic operating within the setting range of temperature and humidity.

3. When the machine is out of operation, the power supply should be switched off so as to insure your safety.
4. The machine is equipped with a water-lacking protection device. In case that the red power supply indicator lamp is on and that the machine fails to operate even if the temperature and humidity control knobs have been adjusted, please check for water level inside the water tank and pour water into it until the water surface reaches a standard level, then, the machine will be able to operate. In case that the machine still fails to operate, the power supply should be switched off immediately and the machine needs to be inspected and repaired by professional technicians.

Attention and Maintenance

1. Regularly and often check the water level inside the water tank and insure that heating tubes are dipped under the water surface so as to prevent the electro-thermal tubes from being burned out. In case that there is no water inside the water tank, switching on the power supply will be strictly prohibited so as to avoid any personal injury.
2. The awaken fermentation temperature is between 35°C~40°C, too high temperature will influence the normal reproduction of the yeasts or even cause the death of them.
3. The waterproof category of the machine is of ordinary grade (IPX0), and therefore it is suitable for indoor operation only. The machine is strictly prohibited to be placed at a place where spraying water may possibly occur. Cleaning the machine with water spraying from a pipe or by dipping it into water will be strictly forbidden.
4. The inside or outside area of the box body should be kept clean. The water in the water tank should be replaced at least one time each day. The water tank should be kept in a condition of cleanliness and sanitation. In case any dirt occurs on the surface of the machine, wipe and clean it with a piece of cloth soaked in neutral cleanser solution. After the dirt has been removed, wipe it with a piece of clean, wet cloth.
5. The connection mode of the power supply circuit is of X type. In case of replacing the power supply wires, rubber sheath wires with specification similar to that of the wire type Yzw1.5mm² that has been equipped for this machine must be adopted.

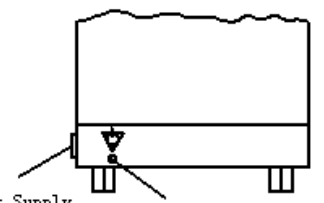
Electric Block Diagram



Front View

TH₁-Humidity Controller
 HL₁-Humidity Operation Indicator
 TH₂-Temperature Controller
 HL₂-Temperature Operation Indicator
 HL -Power Supply Indicator (red)
 EH₁-Humidity Heating Tube
 EH₂-Temperature Heating Tube

①-Temperature Control Knob
 ②-Power Supply Indicator Lamp (red)
 ③-Temperature Indicator Lamp (green)
 ④-Humidity Indicator Lamp (green)
 ⑤-Humidity Control Knob



Inlet for Power Supply
 Wires on side

Equal-Potential Screw

Back View

Marketed globally by:

TRUFROST AND BUTLER PRIVATE LIMITED

1215, 12th Floor, Tower B, Emaar Digital Greens, Golf Course Extn. Road, Sector 61, Gurugram –122011

T. +91-7303166766 info@trufrost.com

www.trufrost.com