

TRUFROST & BUTLER

USER MANUAL

**JUICE /BEVERAGE DISPENSER:
JD-8.2**

Thank you for your choice, hope the machine can satisfy you.

Before operation please read our operation manual carefully.

It will give you necessary help.

Please keep this menu for you reference.



Content

I. Exploded Diagram4

II. Appliance7

III. Installation and operation7

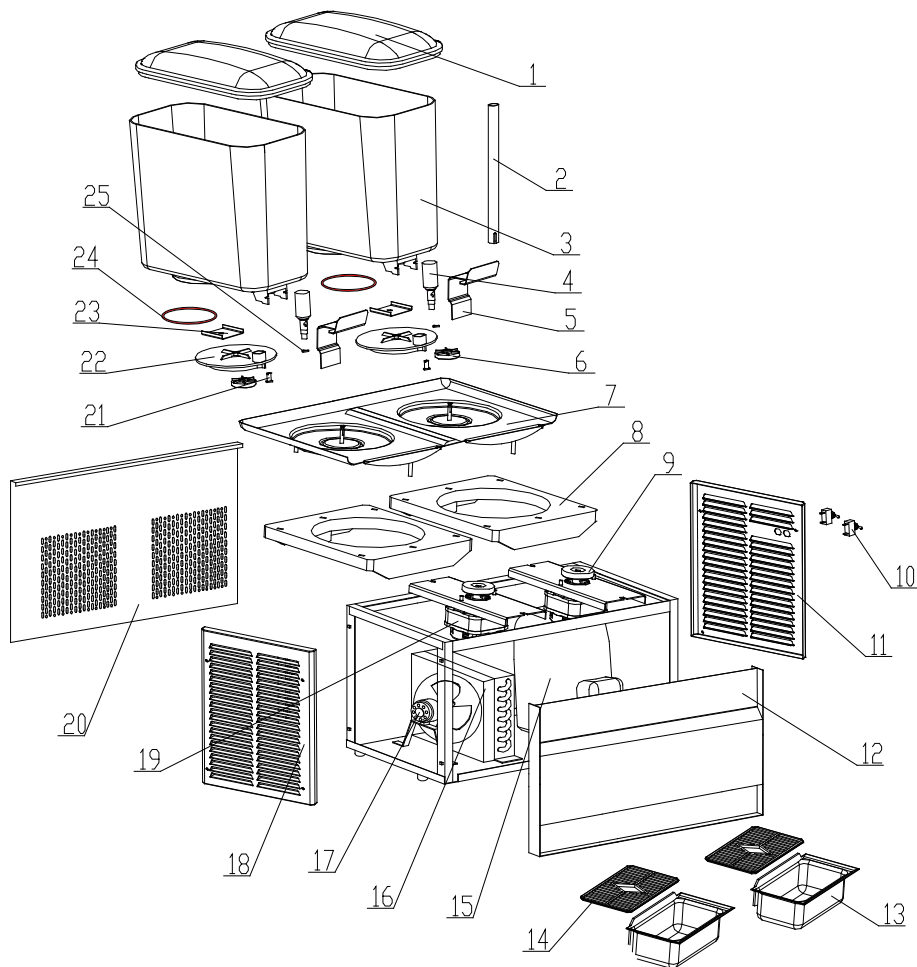
IV. Routine maintenance and washing.....9

V. Use & Maintenance10

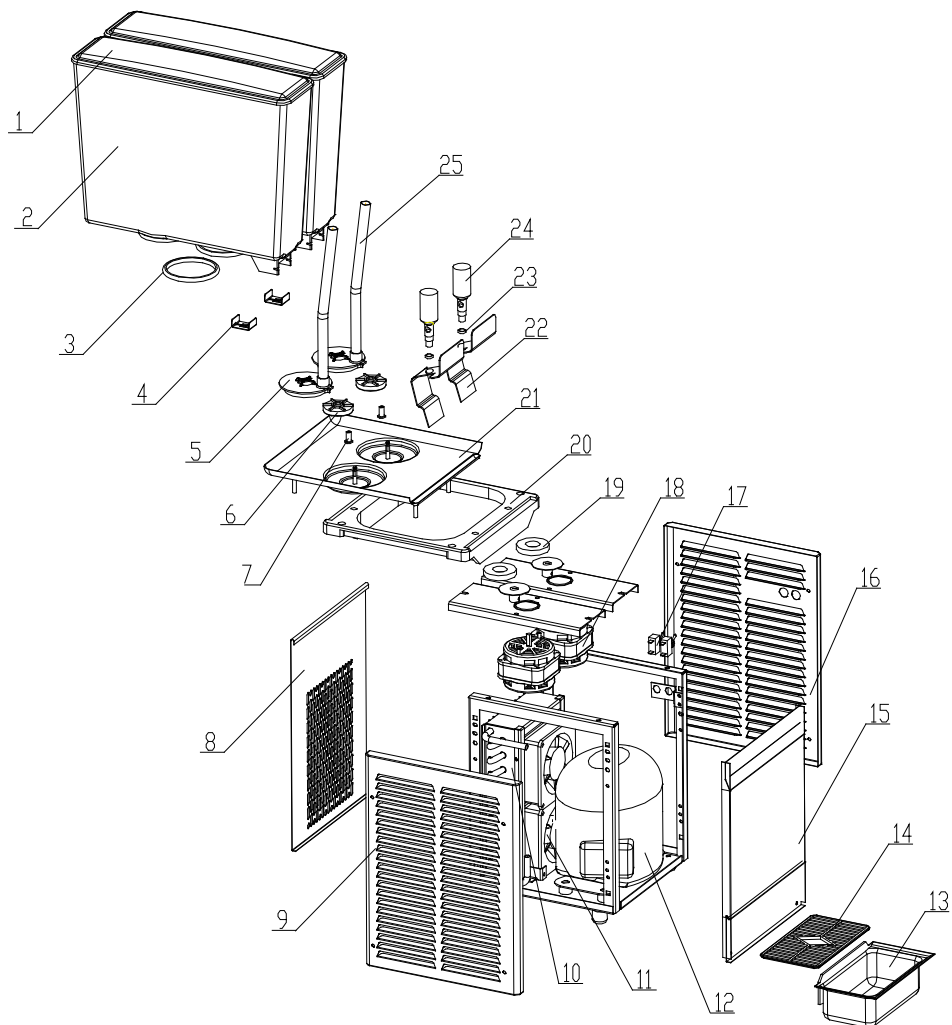
VI. Trouble shooting guide.....11

VII. Schematic wiring diagram11

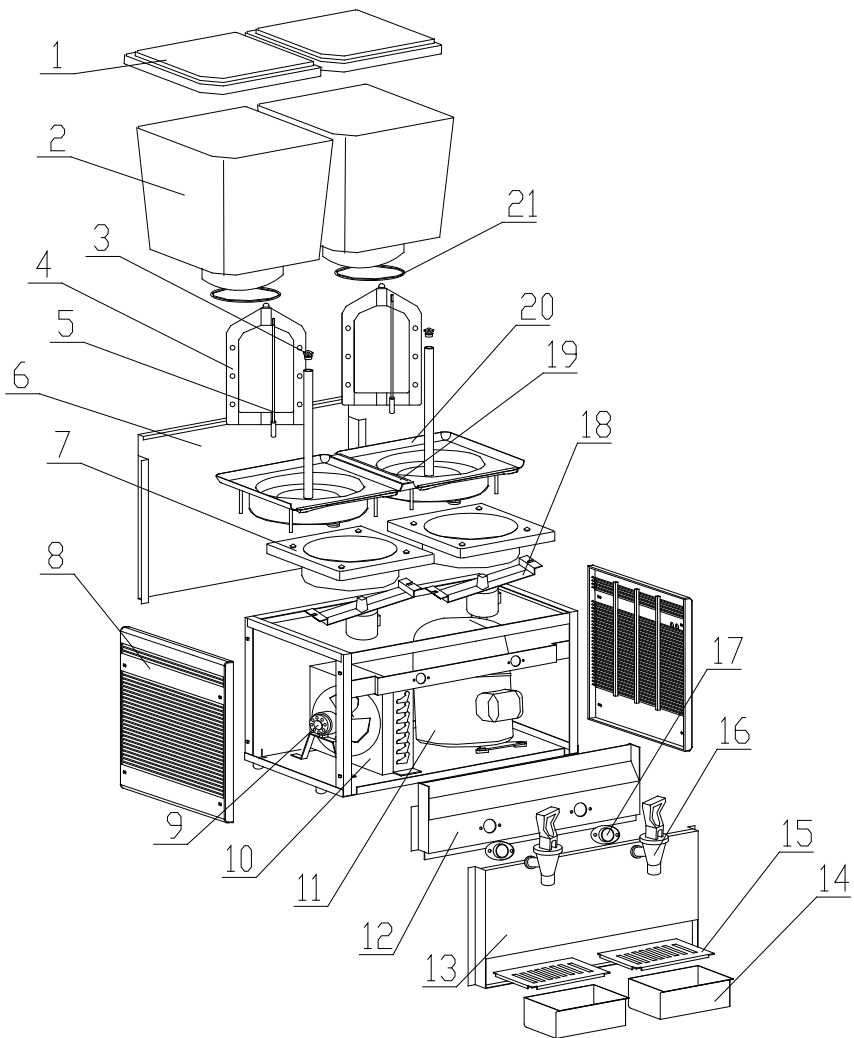
I. Exploded Diagram



1	Cover	8	Fixer	15	Compressor	22	Pump cover
2	Spray tube	9	Magnetic clutch	16	Condenser	23	Fastener
3	Bowl	10	Switch	17	Fan motor	24	D-ring
4	Valve	11	Right panel	18	Left panel	25	O-ring
5	Handle	12	Front panel	19	Pump motor		
6	Impeller	13	Drip tray	20	Rear panel		
7	Evaporator	14	Cover of drip tray	21	Bearing sleeve		



1	Cover	8	Rear panel	15	Front panel	22	Handle
2	Bowl	9	Left panel	16	Right panel	23	O-ring
3	D-ring	10	Condenser	17	Switch	24	Valve
4	Fastener	11	Fan motor	18	Pump motor	25	Spray tube
5	Pump cover	12	Compressor	19	Magnetic clutch		
6	Impeller	13	Drip tray	20	Fixer		
7	Bearing sleeve	14	Cover of drip tray	21	Evaporator		



1	Cover	7	Fixer	13	Front panel(below)	19	Connect of bar
2	Bowl	8	Side panel	14	Drip tray	20	Evaporator
3	Waterproof of cap	9	Fan motor	15	Cover of drip tray	21	O-ring
4	Stirrer	10	Condenser	16	Valve		
5	Axis of stirrer	11	Compressor	17	Base of Valve		
6	Rear panel	12	Front panel(above)	18	Agitator motor		

II. Appliance

Thank you for choice. Our beverage dispenser can make cold milk, beer, juice and other cold/hot drink. It is easy to operate, to clean and warmly welcomed by drinking trader. It is an ideal refrigerant instrument.

III. Installation and operation (the same parts of cold/hot dispenser)

A. Unpacking: Your dispenser is in two cartons. One is the CHASSIS PACK and the other one is the BOWL PACK in which are bowl, cover, and attachment.

- Open the CHASSIS PACK carton, take away the upper pad, and do not pick the chassis up by louvers directly. Pick up the base; lift the chassis off the base pad. Ensure that the four rubber feet are on the legs of the cabinet and have not slipped off during unpacking.
- Open the BOWL PACK carton. Pick up the bowl and its spare parts.

B. Setting-up: Pick up the chassis by placing you fingers under the base plate. DO not pick up by the ventilating slot.

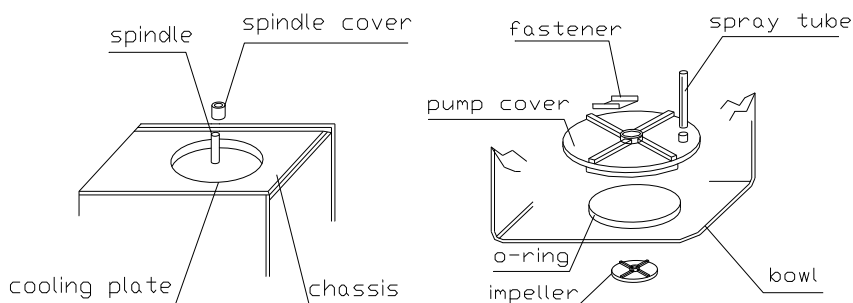
- ◆ Ensure there are at least 15cm distance to both sides of the dispenser next to ventilation slots. Double and triple bowl models must have 15cm distance along the back panel. This is for proper airflow, essential to efficient operation of the unit.
- ◆ Ensure all switcher are in the OFF position, Plug the service cord into a three-prong outlet. If a standard two-prong wall receptacle is encountered, it is the personal responsibility and obligation of the customer to have it replaced with a properly grounded three-prong wall receptacle. If there is any doubt whether the wall receptacle is properly grounded, have it checked by a qualified electrician. Do not cut or remove the third (ground) prong from the power cord plug.
- ◆ Place drip tray cover in the top of each drip tray. Then assemble the drip pans onto of the dispenser.

C. Assembling the bowl: Set the bowls bottom up on a counter. Both the bowl gasket and the bowl neck should be dry. Place the bowl gasket over the neck of the large opening on the bottom of the bowl.

- ✧ Place the bowl right side up, lubricate the cooling plate edge with a little water, then have the bowl gasket centered on the cooling plate. Grasp the bowl by opposite top corners, with a back and forth twisting motion and a downward pressure the bowl will slip down into position. Make sure the bowl is square to the front of the unit over the drip tray.
- ✧ Place the impeller over the spindle, right side up.
- ✧ Press the spray tubes into the hole on the top of the pump cover. Ensure the spray tube is into the hole far enough so that the bowl covers will not hit when the cover is put into place.
- ✧ Place the pump cover over the spindle, keeping the spray tube toward the front of the unit and centered in the bowl.

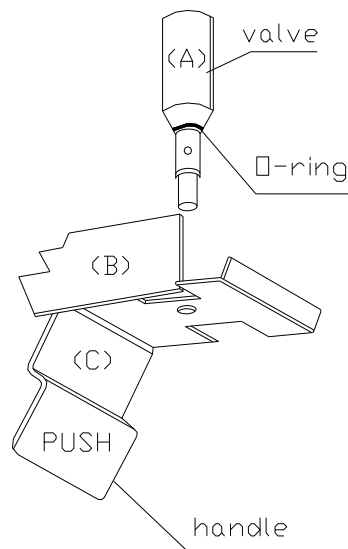
Note: *The tab on the front of the pump cover, next to spray tube holder, goes between the two locate buttons on the inside bottom of each bowl*

- ✧ Place the fastener on the pump cover and over the head of the spindle (Step1). Slide the fastener toward the back of the pump cover and under the head of the spindle until the neck of the spindle is completely in the locking keyway (Step2). Turn the fastener 1/8 circle to lock (Step3). To unlock, Step3. Then Step2. Then lift off the fastener, etc. The fastener locks the pump cover and the bowl to the chassis. Be sure the fastener is properly locked then operating the dispenser.



D. Assembling the valve and handle:

Place the handle(C) in the two-V notches (B) in the front of the handle bracket. While holding the handle in place and pushed back, lower the valve(A) (do not drop in) down through the valve hole and through the hole in the handle. When the valve is seated on its O-RING, release the handle. Push the handle in and release it several times to ensure the valve move up and down freely. To seat the O-RING, press down on valve and twist.



E. Stating the dispenser:

When you find the valve is leaking, please turn in till it doesn't leak any move. Then press all switch to the ON position.

Note: Single bowl juice dispenser has only one switch that controls both spray and refrigeration, others have two switches, one controls agitating motor, another controls compressor. Agitating motor must be opened when compressor runs. Agitating motor can also be operated separately.

IV. Routine maintenance and washing

This dispenser is designed to provide easy disassembly. Be sure to wash all bowl components and the top of your dispenser regularly so as to ensure proper sanitation and consistent and accurate flavor of the juice or beverage. In addition, regular cleaning of bowl components will result in maximum pumping efficiency, proper seating and sealing, and prevention of leaks at the valve O-RING and bowl gasket by removing dried-on beverage solids and pulp from moving and sealing parts. Before disassembly, shut off all switches, to disassemble reviewed the operation shown in the setting-up procedures.

Be sure to handle your bowl and cover with care as plastic can be scratched with sharp edge or abrasive.

Wash all bowl parts as recommended below or as recommended by local health authority:

- Wash all bowl parts thoroughly in mild detergent and warm water.

- Rinse in clean running water.
- Reassembly unit.
- Pour sanitizer and water into bowl. Turn on spray motor and allow sanitizer to spray around inside of the bowl for a period of time as recommended by the sanitizer manufacturer.
- Drain liquid through the valve completely and thoroughly during each step of the cleaning process (wash, rinse and sanitize). Tipping dispenser forward will drain all liquid to the front of bowl then liquid can be drained out of the valve, at last return dispenser to upright position.

V. Use & Maintenance

This dispenser, like all dispensers of this type, as well as your household refrigerator, is designed to run 24 hours a day. For best results, both the spray and refrigeration should be ON, whenever beverage in the bowl. If you find it necessary to run your dispenser with only one bowl containing beverage, put one half cup of water in the unused cooling plate depression for best bowl operation and efficiency. Your dispenser has been manufactured to the highest standards of quality control. Preventive maintenance and good care will give you dispenser long life. If anything should go wrong with your unit, simple maintenance will correct almost all problems.

Examine the bowl gasket and valve O-RING during each wash-up. If either has developed nicks, or has become worn, or has sustained other damage, replace it at once.

Periodically clean the condenser of the refrigeration system by removing dust and lint from the fins. To clean the condenser, first shut off all switches and pull the plug from its outlet. Then, remove the side and front panels from the unit with a screwdriver.

If you have a refrigeration system failure, it will be repaired at any time during warranty period. No charge will be made for repair or replacement during warranty period.

If at any time you need spare parts, contact the factory or your nearest authorized service station.

VI. Trouble shooting guide

Trouble	Possible cause	Remedy
Compressor runs but no refrigeration	faulty compressor	replace compressor
	loss of refrigerant	charging refrigeration
	faulty fan motor	replace motor
Compressor doesn't run	faulty thermostat	replace thermostat
	faulty switches	replace switches
	faulty electrical connection	locate and correct
	defective overload protect	check the overload protector and replace it
Leaky bowl	Worn or nicked bowl gasket or improperly installed	Reinstall gasket or replace gasket
Leaky valve	Worn or nicked valve O-ring	Reinstall or replace
Less efficiency	Dust and lint in condenser	Cleaning the fins of condenser
No spray	foreign particles in pump	cleaning
	the hole of pump cover or pump tube is worn out	replace it
	faulty electrical connection	locate and correct

VII.Schematic wiring diagram

- Technology parameters are on the nameplate
- The electrical schematic diagram is on the inner panel

Marketed globally by

TRUFROST AND BUTLER PRIVATE LIMITED

1215, 12th Floor, Tower B, Emaar Digital Greens, Golf Course Extn.

Road, Sector 61, Gurugram - 122011, India

T. +91-7303166766 info@trufrost.com

www.trufrost.com