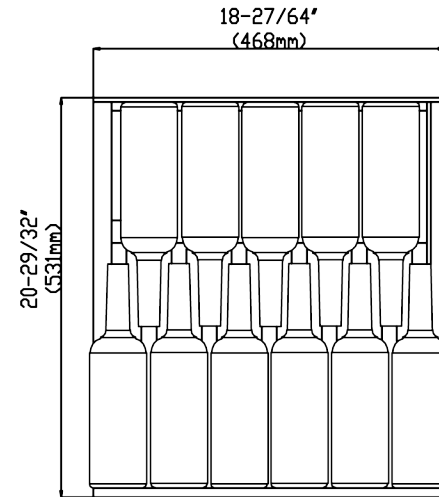
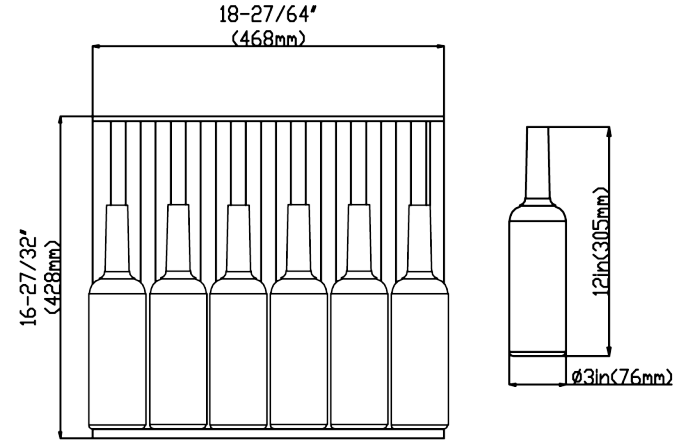
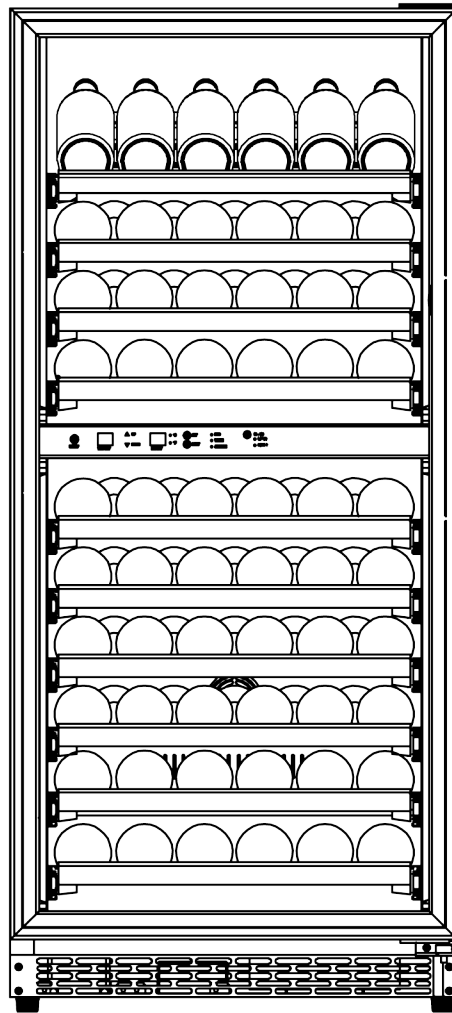


4* 11= 44 PCS

4 * 11= 44 PCS

2 * 6 = 12 PCS

TOL: 100PCS



| Description | WINE COOLER | PART NAME | DWG NO. | Material | Amount | Approval: | Tolerance Class | Class | Tolerance | | | | |
|-------------|-------------|-----------|---------|----------|--------|-----------|-----------------|-------------|-----------|----------|------|------|------|
| | | | | Finish | Date | 20151013 | | | Technic: | A | B | C | D |
| | | | | Scale | 1:1 | Angel | | | Checked: | 1..... 8 | 0.03 | 0.05 | 0.10 |
| | | | | | | Designed: | | 24..... 80 | 0.05 | 0.08 | 0.30 | 0.40 | |
| | | | | | | | | 80..... 250 | 0.08 | 0.12 | 0.30 | 0.60 | |
| | | | | | | | | 250..... | 0.12 | 0.20 | 0.40 | 0.60 | |
| | | | | | | | | | 0.20 | 0.30 | 0.50 | 0.70 | |