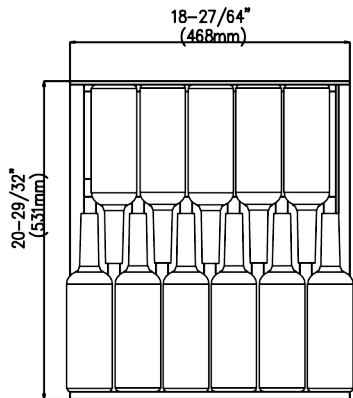


11 * 11 = 121 PCS



2 * 6 = 12 PCS

TOL: 133PCS

