



USER MANUAL

**Wine Coolers: W-18SZ, W-30DZ
W- 100DZ, W-133TZ**

Instruction Manual for Trufrost Wine Coolers



MODELS:

W-18SZ

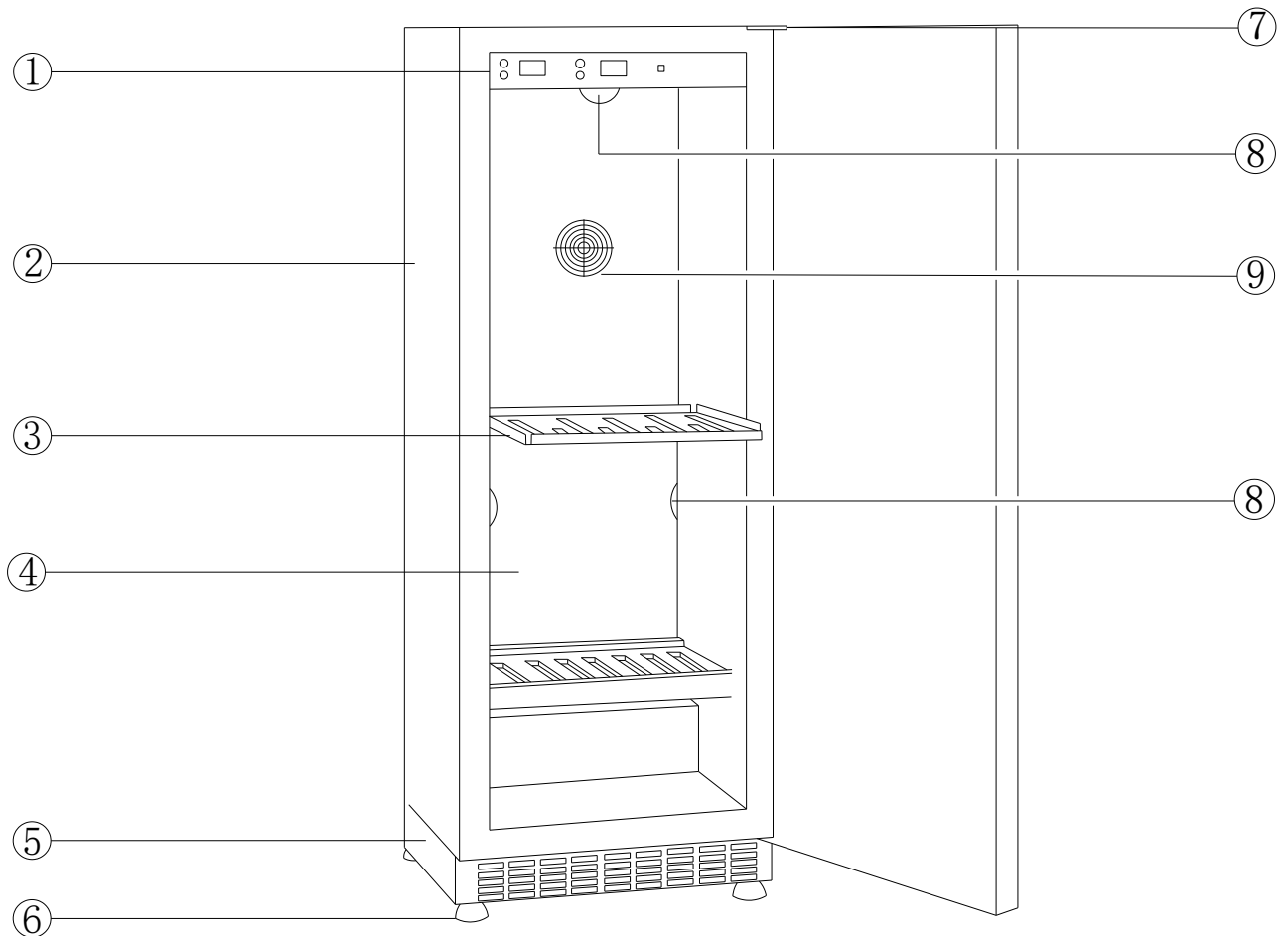
W-30DZ

W- 100DZ

W-133TZ

Thank for choosing our products, please read this manual carefully before using it

YOUR WINE CABINET



- 1. Control Panel and Temperature Settings
- 2. Housing
- 3. Sliding shelf
- 4. Cabinet
- 5. Front Ventilation Base

- 6. Adjustable Feet
- 7. Door Hinge
- 8. Interior Light
- 9. Ventilation Fan

IMPORTANT SAFETY INSTRUCTIONS

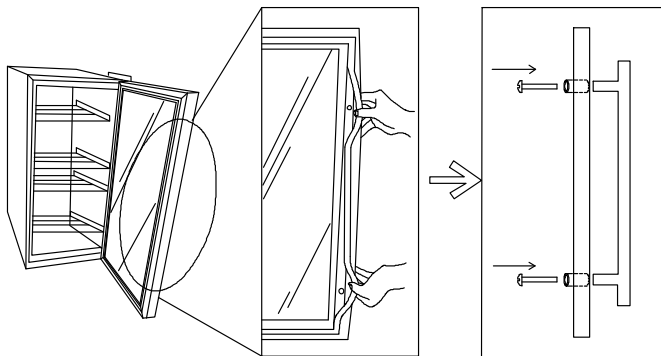
| | |
|---|---|
| <p>WARNING</p> | <p>To reduce the risk of fire, electrical shock, or injury when using your appliance, follow these basic precautions:</p> |
| <ul style="list-style-type: none"> • Read all instructions before using the Wine Cooler • DANGER or WARNING: Risk of child entrapment. • Child entrapment and suffocate on are not only problems of the past. Junked or abandoned appliances are still dangerous... even if they will “just sit in the garage for a few days”. • Before you throw away old wine Cooler: Take off the door. Leave the Shelves in piece so that children may not climb inside easily. • Never allow children to operate, play with, or crawl inside the appliance. • Never clean appliance parts with flammable fluids. The fumes can create a fire hazard or explosion. • Do not store or use gasoline or any other flammable vapors in the vicinity or any other appliance. The fumes can create a fire hazard or explosion. • Plug the Wine Cooler into an exclusive, properly installed-grounded wall outlet. Do not under any circumstances cut or remove the third (ground) prong from the power cord. <p style="text-align: center;">-Save these instructions-</p> | |

INSTALLATION INSTRUCTIONS

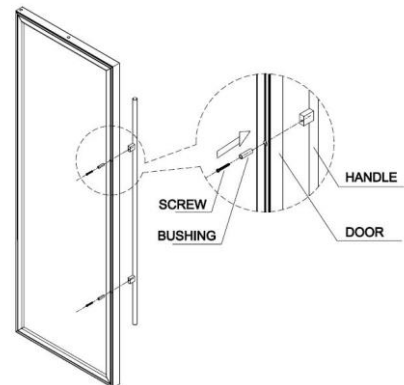
Handle Installation

Step 1 Take out the handle from the cellar and remove the plastic bag. Remember, 2pcs of screw are packed inside the plastic bag.

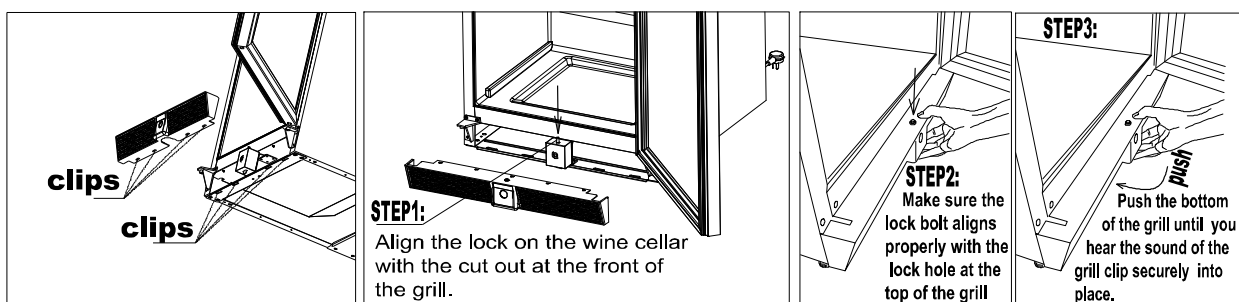
Step 2 Pull out a bit of rubber gasket from the back side of the hole.



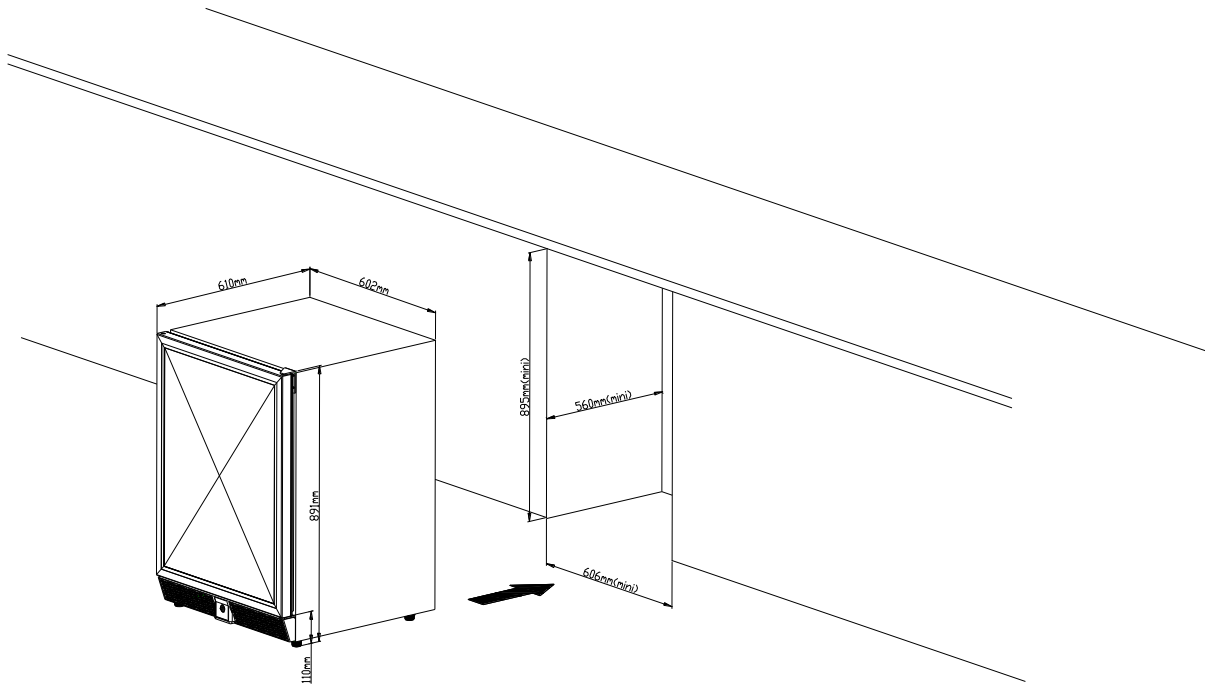
Step 3 Insert the screw through the hole and connect with the handle.



Installation of Front grill

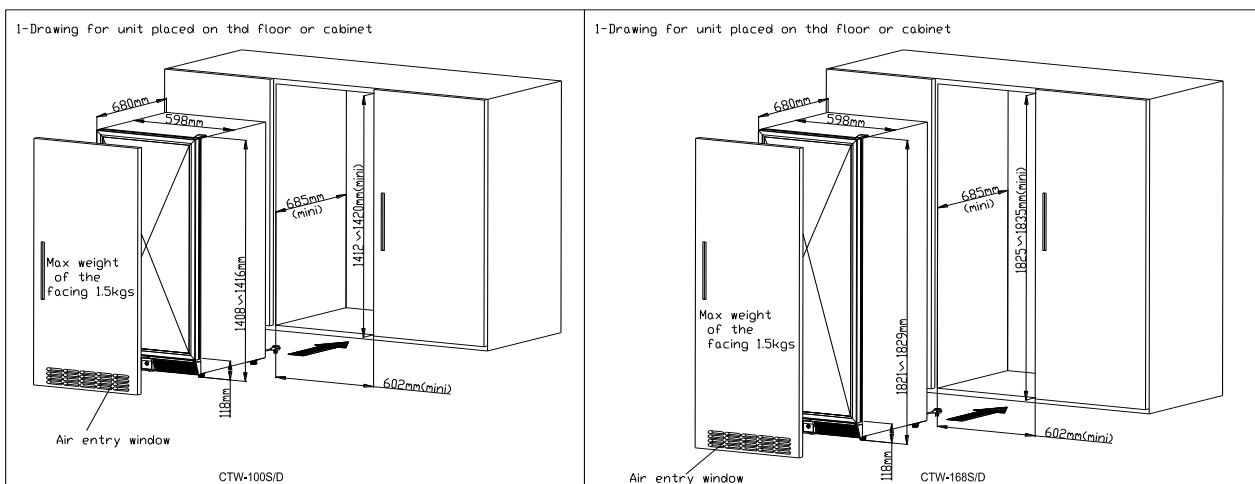


➤ **Installation diagram for the built-in models**



➤ **Installing a unit with a technical door**

- Level the unit inside the cabinet.
- Open the door of the unit at a 90° angle.
- Fix the facing of the kitchen cabinet on the door of the unit (8 screws included).
- Be sure the gasket seal properly.



➤ **Before Using Your Wine Cooler**

- Remove the exterior and interior packing.
- Before connecting the Wine Cooler to the power source, let it stand upright for approximately 2 hours. This will reduce the possibility of a malfunction in the cooling system from handling during transportation.
- Clean the interior surface with lukewarm water using a soft cloth.
- Install the handle on the left side of the door.

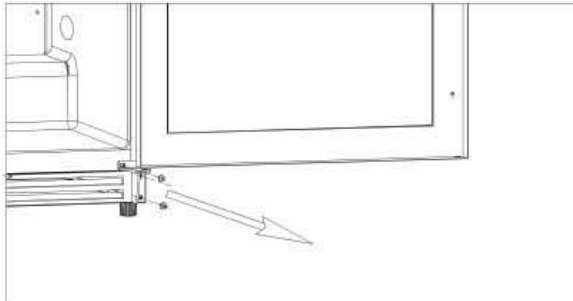
➤ **Installation of Your Wine Cooler**

- This appliance is designed for free standing installation or built-in (fully recessed).
- Place your Wine Cooler on a floor that is strong enough to support it when it is fully loaded. To level your Wine Cooler, adjust the front leveling leg at the bottom of the Wine Cooler.
- Locate the Wine Cooler away from direct sunlight and sources of heat (stove, heater, radiator, etc.). Direct sunlight may affect the acrylic coating and heat sources may increase electrical consumption. Extreme cold ambient temperatures may also cause the unit not to perform properly.
- Avoid locating the unit in moist areas.
- Plug the Wine Cooler into an exclusive, properly installed-grounded wall outlet. Do not under any circumstances cut or remove the third (ground) prong from the power cord. Any questions concerning about power and/or grounding should be directed toward a certified electrician or an authorized products service center.

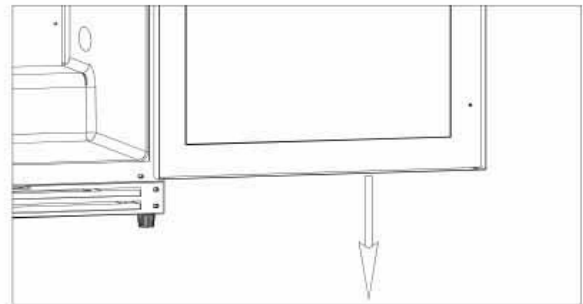
➤ **Reversing the Door Swing of Your Appliance**

The door of this appliance has the capability of opening from either left or right side. The unit is delivered to you with the door opening from the left side. If you desire to reverse the opening direction, please call service for reversal instructions.

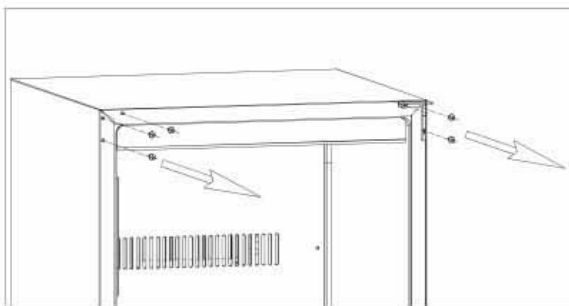
① Dismantle the hinge



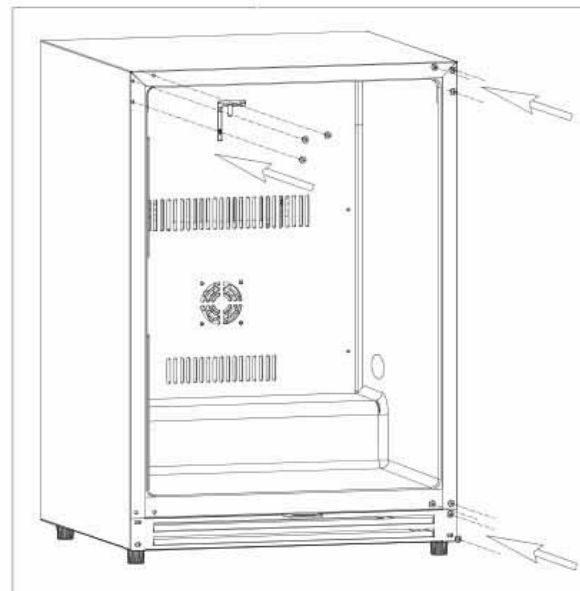
② Pull out of the door



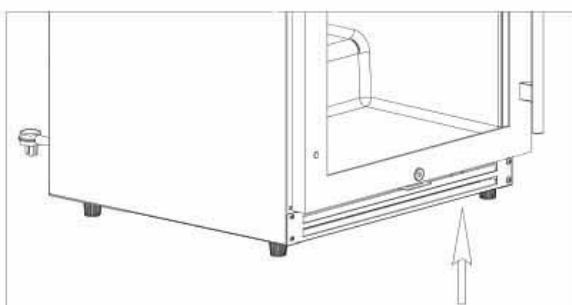
③ Dismantle upper hinge and screws



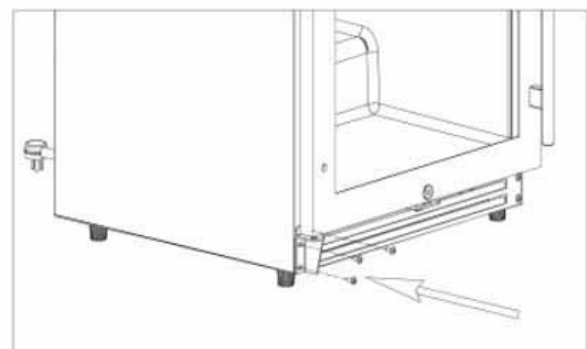
④ Install hinge and screws



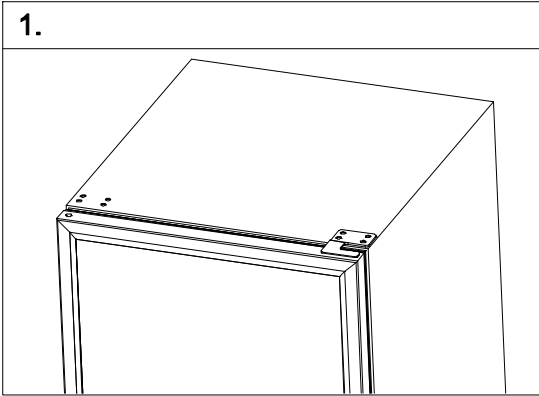
⑤ install the door



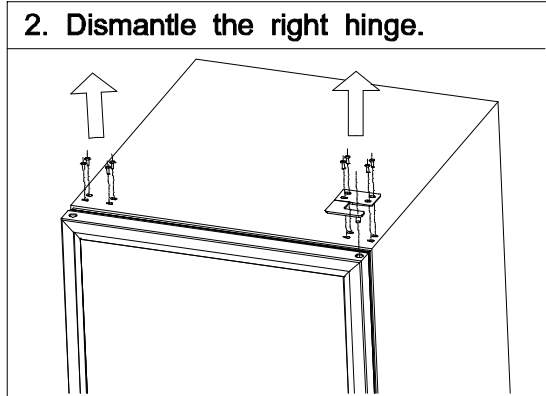
⑥ Install the hinge and finish



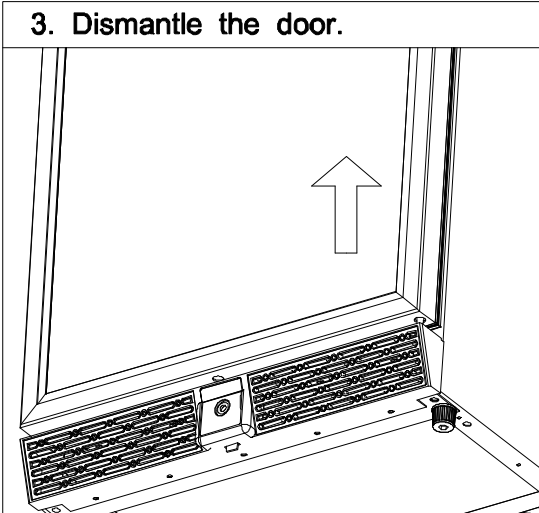
1.



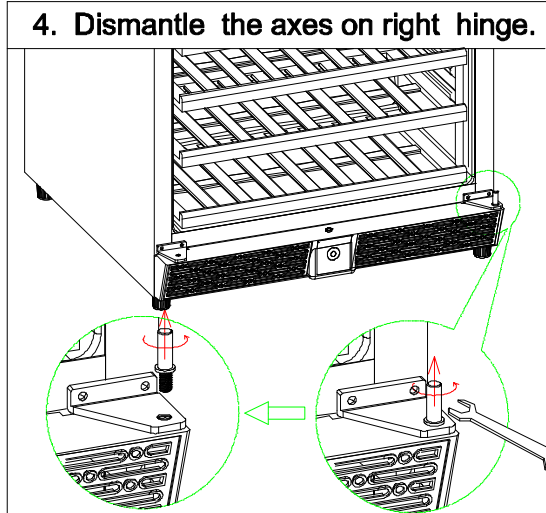
2. Dismantle the right hinge.



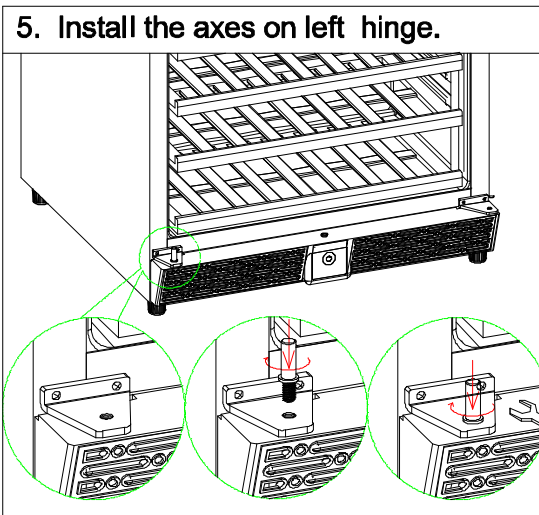
3. Dismantle the door.



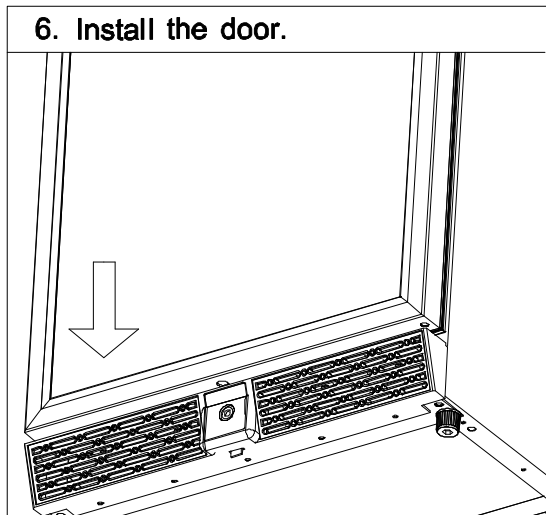
4. Dismantle the axes on right hinge.



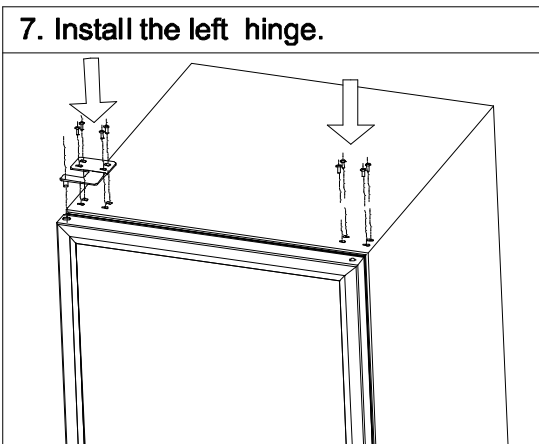
5. Install the axes on left hinge.



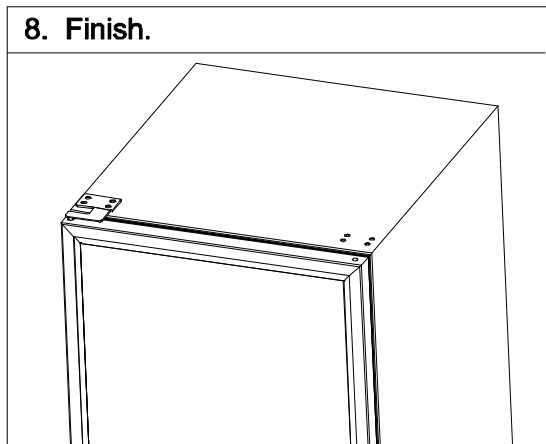
6. Install the door.



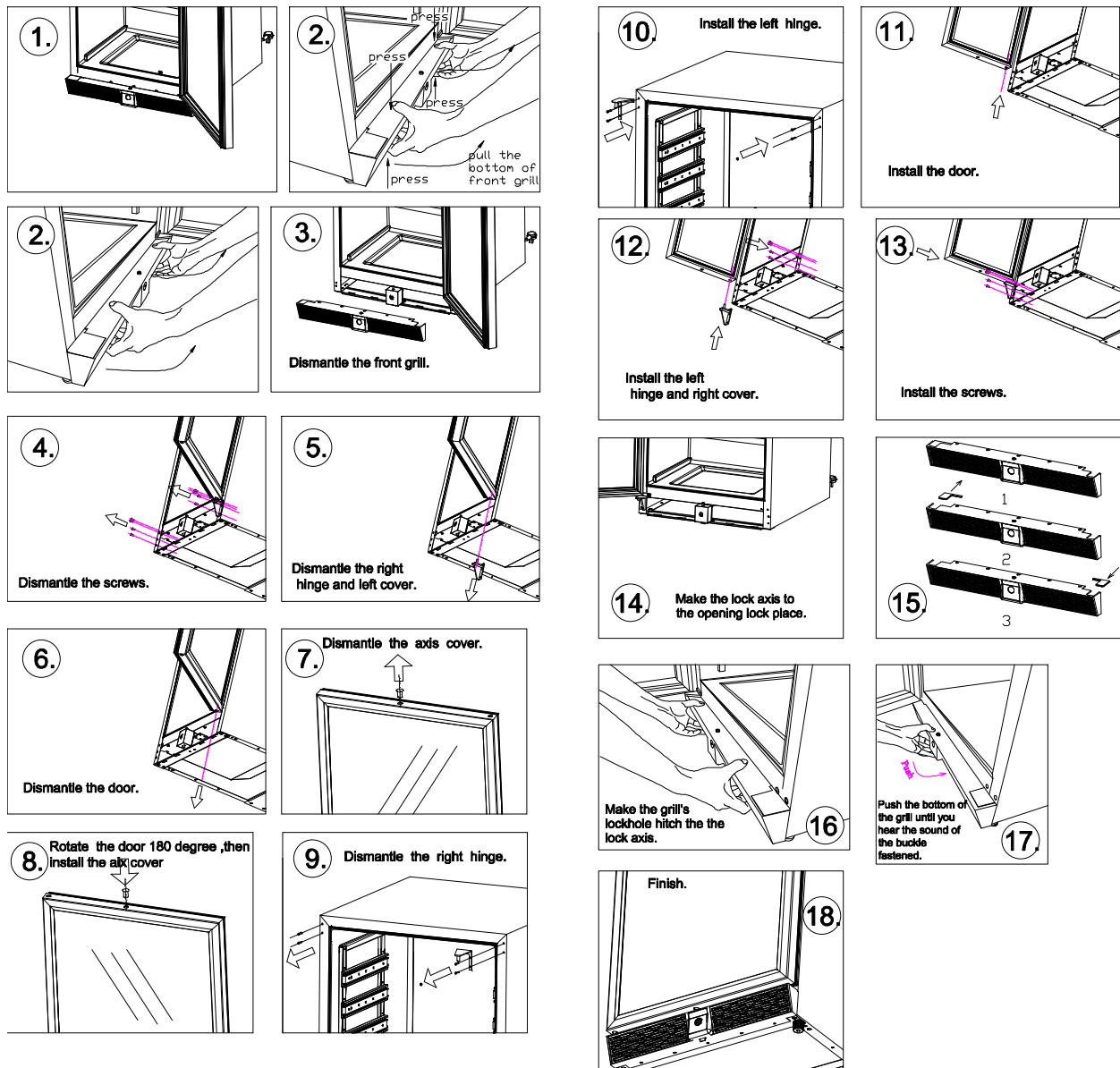
7. Install the left hinge.



8. Finish.



The way of changing the door opening side.



OPERATING YOUR WINE COOLER

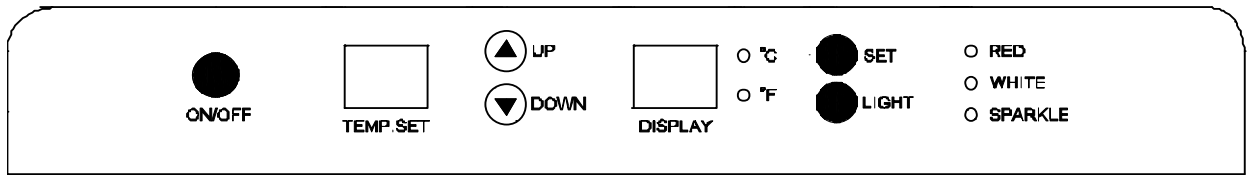
The wine cellar should be placed where the ambient temperature is between 32-100.4 degrees Fahrenheit (0-38°C). If the ambient temperature is above or below this range, the performance of the unit may be affected. For example, placing your unit in extreme cold or hot conditions may cause interior temperatures to fluctuate. The range of 40-65 degrees Fahrenheit (5-18°C) may not be reach

Single zone

Recommended Temperatures for Chilling Wine.

| | |
|-----------------|-------------------|
| Red Wines: | 15-18°C (58-65°F) |
| Dry/White Wines | 9-15°C (48-57°F) |
| Sparkling Wines | 5-9°C (40-47°F) |

The above temperatures may fluctuate depending on whether the interior light is ON or OFF or the bottles are located on the upper/middle/lower section.



➤ ON/OFF Power

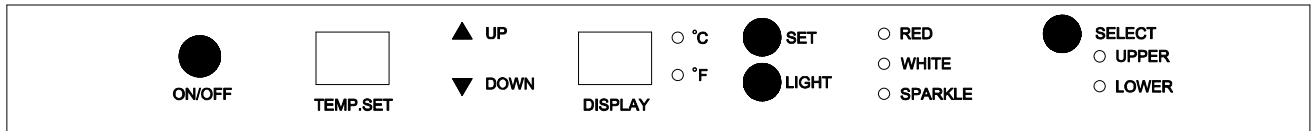
To turn ON/OFF the appliance, press the ON/OFF button.

➤ Setting the Temperature Control

- You can set the temperature as you desire by pushing the UP (+) or DOWN (-) button. When you push the two buttons for the first time, the LED readout will show the original temperature set at previous time (the temperature preset at the factory is 40°F (5°C)).
- The temperature that you desire to set will increase 1°F or 1°C if you push the UP(+) button once, on the contrary the temperature will decrease 1°F or 1°C if you push the DOWN (-) button once.
- When you store mostly red wines, the temperature which you control by pushing the above two buttons need to be set at between 58 to 65 °F(15-18°C) and the LED lamp under “RED” will be lit Red.
- When you store mostly white wines, the temperature needs to be set at between 48 to 57°F(9-15°C)and the LED lamp under “WHITE” will be lit white.
- When you store mostly sparkling wines, the temperature needs to be set at between 40 to 47°F(5-9°C)and the LED lamp under “SPARKLE” will be lit amber.
- You can select temperature display setting from Fahrenheit to Celsius degree by pushing the “SET” button. Fahrenheit or Celsius degrees indicator will appear in green color in the “°C” or “°F” window .(Due to different market, some units can only display Fahrenheit or Celsius)
- The temperature inside the unit will be appearing in red color in the DISPLAY window.

The above temperatures may fluctuate depending on whether the interior light is ON or OFF or the bottles are located on the upper/middle/lower section.

Dual zone control panel:



➤ ON/OFF Power

To turn ON/OFF the appliance, press the ON/OFF button.

➤ Setting the Temperature Control

- Each cooling compartment of the wine Cooler (upper & lower) is independently controlled. To set the temperature: Connect the power cord to a properly grounded outlet. In the event of a power interruption, all previous temperature settings are automatically saved and each compartment will keep the previous temperature setting and the temperature preset at the factory is 40°F (5°C) for the upper compartment and 50°F (10°C) for the lower compartment.
- Set the desired cooling temperature by pressing the buttons "SELECT" to choose the "UPPER" or "LOWER" compartment and then press the "UP" or "DOWN" to set your desired temperature. Each depression of the buttons will scroll through the available temperature settings (for each compartment) in increments of 1 degree. The temperature selected will be showed on the "TEMP.SET" window and the inner cabinet temperature will be showed on the window near to the "°C" and "°F".
- **Upper compartment:** The temperature setting can be adjusted from 5°C to 10°C (41°F to 50°F).
- **Lower compartment:** The temperature setting can be adjusted from 10°C to 18°C (50°F to 64°F).
- This unit has the option to display temperatures in either Celsius or Fahrenheit by pushing the "SET" button. Fahrenheit or Celsius degrees indicator will appear in green color in the "°C" or "°F" window. (Due to different market, some units can only display Fahrenheit or Celsius)

NOTE:

- If the unit is unplugged, power lost, or turned off, you must wait 3 to 5 minutes before restarting the until you attempt to restart before this time delay, the Wine Cooler will not start.
- When you use the wine Cooler for the first time or restart the wine Cooler after having been shut off for a long time, there could be a few degrees variance between the temperature you select and the one indicated on the LED readout. This is normal and it is due to the length of the activation time. Once the wine Cooler is running of a few hours everything will be back to normal.

➤ Interior Light

You can turn the interior light ON or OFF by pressing the button marked with the "light" symbol. If you would like to turn off the light just press the "light" button again is ok .

➤ Door Lock

This unit has the option to have a lock and key combination. If you have choose the lock

The keys are located inside the plastic bag that contains the User's Manual. Insert the key into the lock, and turn it counterclockwise to unlock the door. To lock the door, do the reverse operation making sure metal pin is engaged completely. Remove the key and place it in a secure place for safekeeping.

LAYOUT AND STORAGE

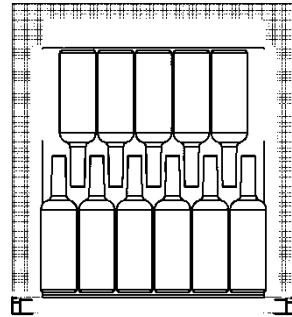
Your cabinet was designed to be flexible, to be able to adapt to your requirements

HOW TO USE YOUR STORAGE SHELF

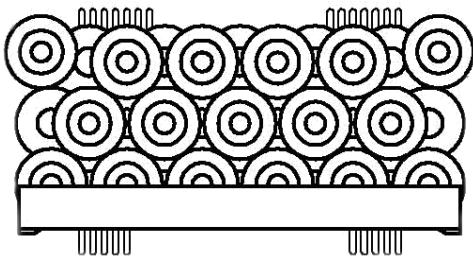
● Normal Shelf



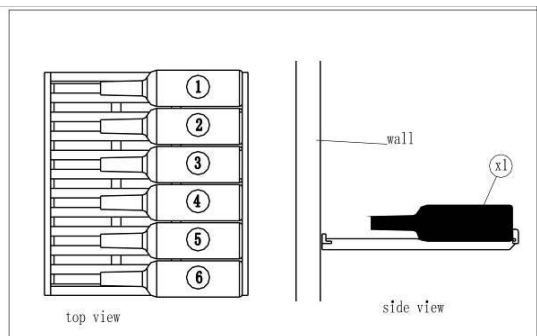
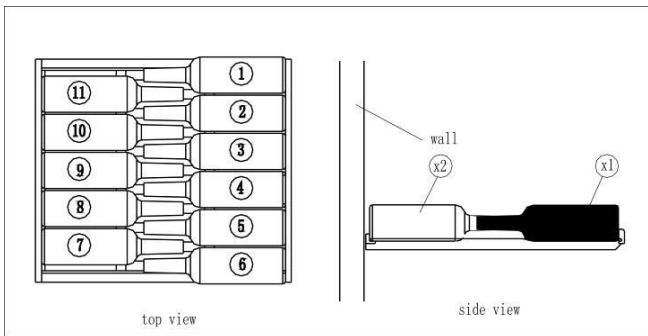
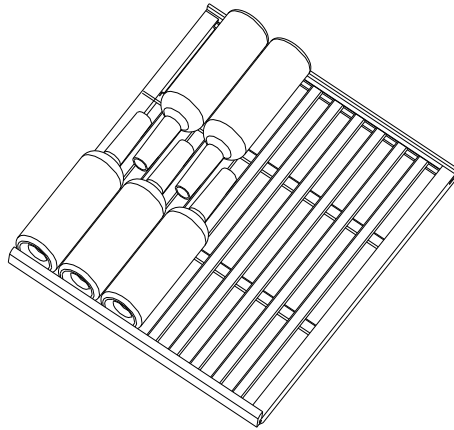
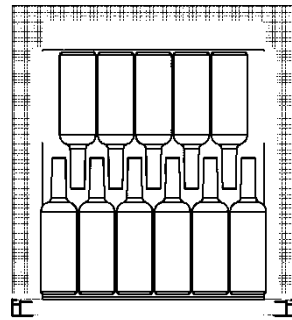
Capacity: 8-22 bottles
Max Weight: 25kgs



● Strong Shelf



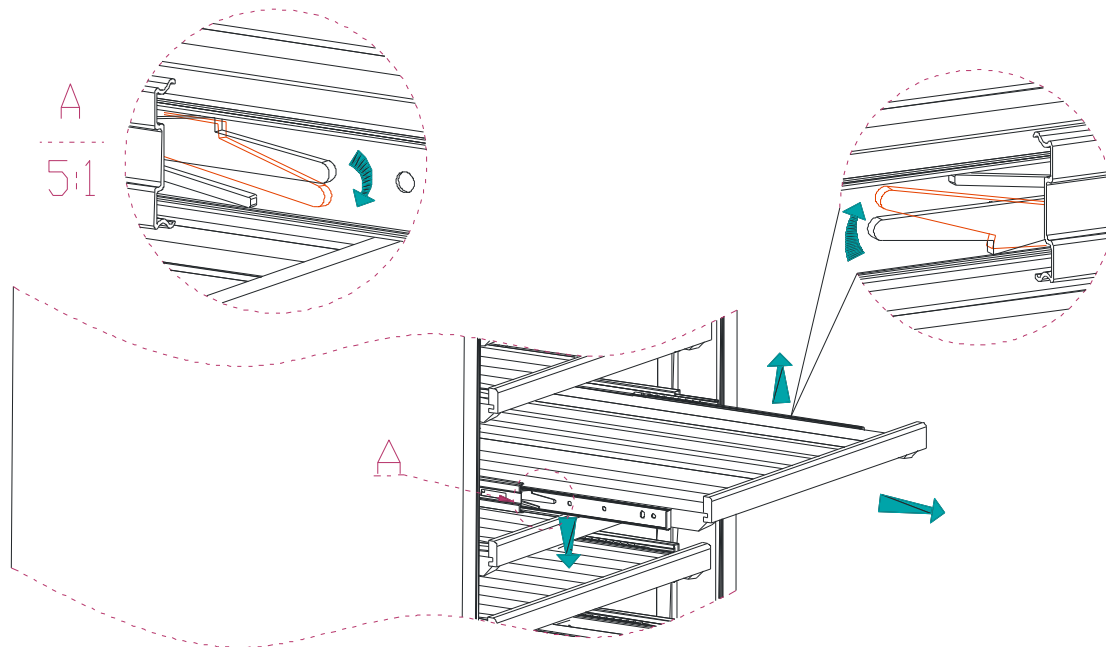
Capacity: 8-44 bottles
Max Weight: 50kgs



SLIDING SHELF

To move a sliding shelf:

1. Remove all bottles
2. Pull out the shelf
3. Refit them as show below instruction
4. Move out the shelf



LAYOUT AND STORAGE

RECOMMENDATIONS FOR LAYOUT AND STORAGE OF YOUR WINE CABINET

Your cabinet was designed to store a maximum number of bottles in total security. We recommend that you observe the tips below to optimize loading.

- Spread your bottles out as evenly as possible over the shelves, so that weight is not concentrated in one point, Also make sure your bottles do not touch the back of the cabinet, or the step at bottom.
- Also make sure that bottles are not all grouped together at the top or bottom of the cabinet.
- Observe the loading instructions provided in section 6, according to the type of storage fixtures with which your cabinet is equipped, and never stack bottles on a sliding shelf.
- Never try to pull out more than one sliding shelf at a time.

PLEASE NOTE

Before modifying your cabinet's original configuration in any way, be sure to ask your dealer for advice.

CARE AND MAINTENANCE

- Cleaning Your Wine Cooler

- Turn off the power, unplug the appliance, and remove all items including shelves and rack.
 - Wash the inside surfaces with warm water and baking soda solution. The solution should be about 2 tablespoons of baking soda with a quart of water.
 - Wash the shelves with a mild detergent solution.
 - Wring excess water out of the sponge or cloth when cleaning area of the controls, or any electrical parts.
 - Wash the outside cabinet with warm water and mild liquid detergent. Rinse well and wipe dry with a clean soft cloth.
- **Power Failure**
- Most power failures are corrected within a few hours and should not affect the temperature of your appliance if you minimize the number of times the door is opened. If the power is going to be off for a longer period of time, you need to take the proper steps to protect your contents.
- **Vacation time**
- **Short vocations:** Leave the Wine Cooler operating during vacations of less than three weeks.
 - **Long vocations:** If the appliance will not be used for several months, remove all items and turn off the appliance. Clean and dry the interior thoroughly. To prevent door and mold growth, leave the door open slightly: blocking it open if necessary.
- **Moving Your Wine Cooler**
- Remove all items.
 - Securely tape down all loose items (shelves) inside your appliance.
 - Turn the adjustable leg up to the base to avoid damage.
 - Tape the door shut.
 - Be sure the appliance stays secure in the upright position during transportation. Also protect outside of appliance with a blanket, or similar item.
- **Energy saving Tips**
- The Wine Cooler should be located in the coolest area of the room, away from heat producing appliances, and out of the direct sunlight.

TROUBLESHOOTING GUIDE

You can solve many common Wine cooler problems easily, saving you the cost of an avoidable service call. Try the suggestions below to see if you can solve the problem before calling the service.

| PROBLEM | POSSIBLE CAUSE |
|---|---|
| Wine Cooler does not operate. | <p>Not plugged in.</p> <p>The appliance is turned off.</p> <p>The circuit breaker tripped or a blown fuse.</p> |
| Wine Cooler is not cold enough. | <p>Check the temperature control setting.</p> <p>External environment may require a higher setting.</p> <p>The door is opened too often.</p> <p>The door is not closed completely.</p> <p>The door gasket does not seal properly.</p> |
| Turn on and off frequently. | <p>The room temperature is hotter than normal.</p> <p>A large amount of contents has been added to the Wine Cooler.</p> <p>The door is opened too often.</p> <p>The door is not closed completely.</p> <p>The temperature control is not set correctly.</p> <p>The door gasket does not seal properly.</p> |
| The light does not work. | <p>Not plugged in.</p> <p>The circuit breaker tripped or a blown fuse.</p> <p>The bulb has burned out.</p> <p>The light button is "OFF".</p> |
| Vibrations. | <p>Check to assure that the Wine Cooler is on level.</p> |
| The Wine Cooler seems to make too much noise. | <p>The rattling noise may come from the flow of the refrigerator, which is normal.</p> <p>As each cycle ends, you may hear gurgling sounds caused by the flow of refrigerator in your Wine Cooler.</p> <p>Contraction and expansion of the inside walls may cause popping and crackling noises.</p> <p>The Wine Cooler is not on level.</p> |
| The door will not close properly. | <p>The Wine Cooler is not on level.</p> <p>The door was reversed and not properly installed.</p> <p>The gasket is dirty.</p> <p>The shelves are out of position.</p> |

Technical Data

| Art No. | W- 18 SZ | W-30DZ | W-100DZ | W-133TZ | | |
|---|----------------------|------------------------|--|------------------------|----------------------|------------------------|
| Volume(L) | 93 | 110 | 308 | 405 | | |
| Accommodation (No. of 750 ml. bottles) | 18 | 30 | 100 | 133 | | |
| Type of cooling | Compressor cooling | | | | | |
| Climate type | N | | | | | |
| Electricity protection grade | I | | | | | |
| Nominal voltage/Frequency | 220-240V/50Hz. | | | | | |
| Rated power(W) | ? | ? | ? | ? | | |
| Ambient temperature | 5-35°C | | | | | |
| Temperature range | 5-18°C | 5-18°C | 5-18°C Down layer: 7- 18°C Up layer: 5-15°C | | | |
| Range of inside cabinet humidity | >60%RH | | | | | |
| Dimensions (in mm) | 381W * 610D *880H | 495W* 595D* 832H | 598W* 685D* 1403H | 598W * 685D * 1820H | 598W* 685D* 1403H | 598W * 685D * 1820H |
| Net weight (kgs) | 47 | 45.5 | 58 | 52 | 88 | 131 |
| Gross weight (kgs) | 53 | 50 | 63 | 58 | 108 | 143 |

TRUFROST COOLING PRIVATE LIMITED

509, 5th Floor, Emaar Palm Springs Plaza, Golf Course Road,

Sector 54, Gurugram - 122011, India

T. +91-124-2570524 info@trufrost.com

www.trufrost.com