



USER MANUAL

**Dough Divider:
DD 36**

Description of the machine

Elegant in style and suitable in structure

Electric motor in famous factory for stable performance, high efficiency and electricity saving

The drum is made of stainless steel to keep clean

Less in land and weight, easy to move and clean

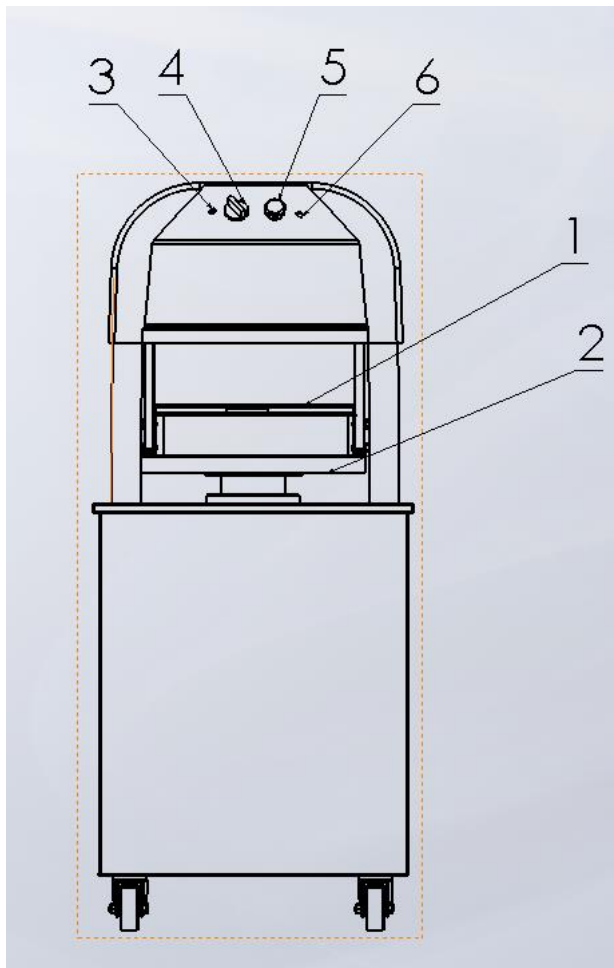
With single phase 220V or three-phase 380V electric motor for wide use

Model	DD 36
Input Power (kw)	0.75
Rated Voltage (v)	220V
Rated Frequency (HZ)	50
Weight (kg)	180
Material Plate Size (mm)	Φ313x78
Division Quantity	36
Division Weight (g)	30-180
Dimension LxWxH (mm)	545x430x1300

Method of installing

1. Please hook up refer to the power transmission on the nameplate of the machine. Check that whether the volume of the power circuit is enough or not, whether the power circuit is safe or not.
2. The yellow-green line in the power line is the ground wire, and should be connected with the grounding device which should meet national standards.
(Warning: Connecting the ground wire with water pipe or gas pipe is prohibited!)
3. Please fix position for this machine, and make sure that the floor is flat, so that the machine can work smooth. Leave adequate place between the machine and the wall to keep good ventilation.
4. Keep the machine away from rain, drop or the wet place to avoid appearing fault and leakage.
5. Put the tray into the working plate, turn on the machine. When the machine is working, the working plate will go up, and then go down. If you find that the working plate can not stop automatic, you should turn off the power, change any two phases of the 3-phase.

The structure of this machine



- | | |
|-----------------|------------------|
| 1. Tray | 2. Working plate |
| 3. Power light | 4. Power switch |
| 5. Start button | 6. Start light |

Repairs and maintenance

1. Before or after using the machine, you should clean it to guarantee the dietetic hygiene; you can dip a little detergent by the cleaning cloth to clean the machine when it needs, but not to use the gasoline or other chemical solvent.
2. Add lubricating oil to the machine every 6 months.

Notice

1. The tray should be put into the machine correct so that the machine can work properly.
2. The machine can divide soft material only, if the working plate haven't been stop completely, you can not pull away the tray.

Faults and trouble shooting

Fault	Causes	Remedy
The machine can not work	Contact is not enough	Check the electrical circuit
The working plate go up and down slowly	The drive belt is not tight enough	Adjust the tighten of the belt
Larger noise	The lubricating oil is not enough	Add lubricating oil

Marketed globally by:

TRUFROST COOLING PRIVATE LIMITED

1215, 12th Floor, Tower B, Emaar Digital Greens, Golf Course Extn. Road,
Sector 61, Gurugram – 122102

T. +91-7303166766 info@trufrost.com

www.trufrost.com