



USER MANUAL

**Single Door Tall Proofing
Cabinet with Insulation:
PC-16 Super Premia**

1. TECHNICAL PARAMETERS

| Model | Voltage | Capacity | Temp.(°C) | Power(kw) | Dimension(mm) |
|--------------------|-----------|------------------|-----------|-----------|---------------|
| PC-16 Super Premia | 220V/50Hz | 16tray (400*600) | 30-110°C | 2 | 600*850*2000 |

2.FEATURES

- 1) A series proofer made by S.S 430, B series is made by ss201, C series is made by ss201 with foam, heating the water by electric thermal, and then produce much steam in the chamber. Humidity in chamber can reach 80%~~85%, control temperature between 35°C to 40°C, which is suitable for fermenting.
- 2) Add dry heating tube and heating plate, keeping temperature and atomize, make best fermenting effect.
- 3) Hot air convection in the chamber, evenly temperature inside, precision control temperature and humidity.
- 4) Humanization door, easy open and close, luxury visible glass door, fermenting process under your eyes.
- 5) Big capacity, multi-layer, long beautiful handle give you best feeling every time you open and close it.

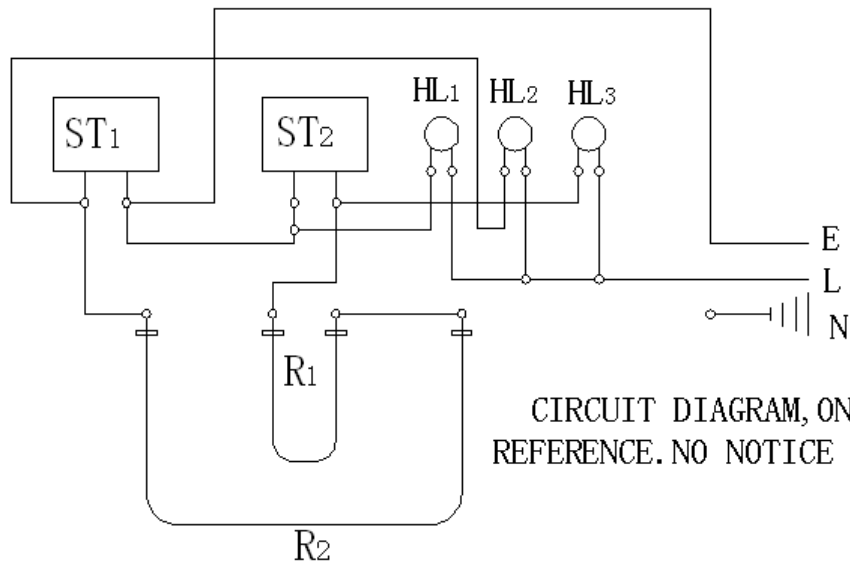
3.INSTALLATION

- (1) First, take out the foot tube and fix it, then adjust it to balance, the end fix the rack tube.
- (2) Voltage: 220v 50Hz \geq 16A。
- (3) Connect anti-leakage switch directly or with socket, in order to safety you must make sure of that insert power plug to anti-leakage socket.
- (4) Set the proofer balance, reserve enough space for your operation.

4.OPERATION

- (1) Add water in water chamber before using, water over the heating tube preventing dry heating.
- (2) Connect power, (red) indicator, proofer is on standby mode.
- (3) Open the atomizer by clockwise, yellow atomizer indicator on, electric thermal tube start working. Set temperature to 100°C, adjust the temperature to 80°C after water boiled. Indicator off means proofer stop working and enter auto automizing convection state.

5.CIRCUIT DIAGRAM



R1-- WET HEATER R2-- DRY HEATER HL1-- POWER INDICATOR
 HL2-- ATOMIZATION INDICATOR HL3-- TEMPERATURE INDICATOR
 ST1-- ATOMIZATION CONTROLLER ST2-- TEMPERATURE CONTROLLER

Dear Customers:

Thank you for choosing our products, we are in accordance with "Quality first, integrity first, customer supreme", supply perfect after sale service.

Marketed globally by:

TRUFROST COOLING PRIVATE LIMITED

1215, 12th Floor, Tower B, Emaar Digital Greens, Golf Course Extn. Road, Sector 61, Gurugram – 122011

T. +91-124- 4246560 info@trufrost.com

www.trufrost.com