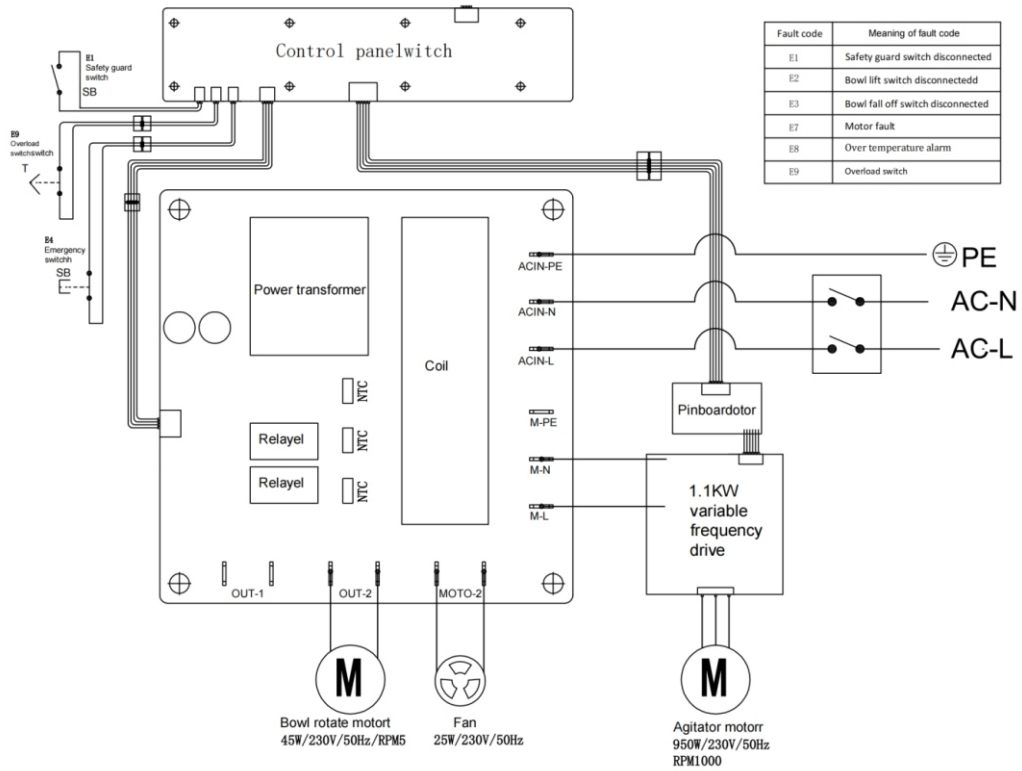


Electrical wiring diagram



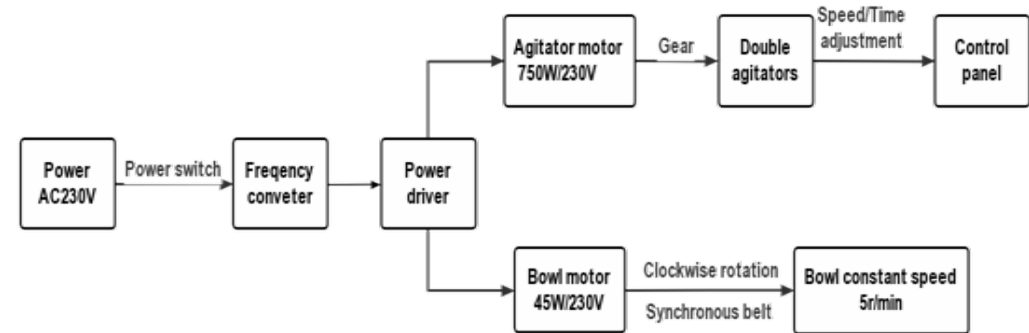
USER MANUAL

Twin Arm Spiral Mixer
SM-16 TA-Premia

INDEX

- CAD diagram 1
- Control panel instruction 2
- Exploded diagram 3
- Specification 4
- Working principle 5
- Electrical wiring diagram 6

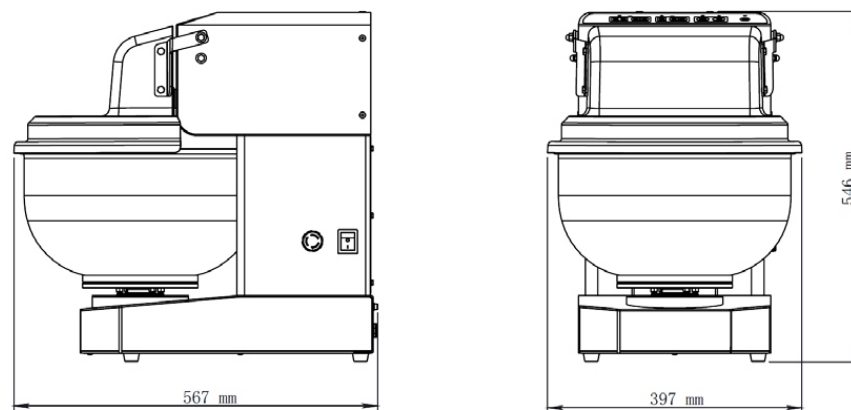
Working principle



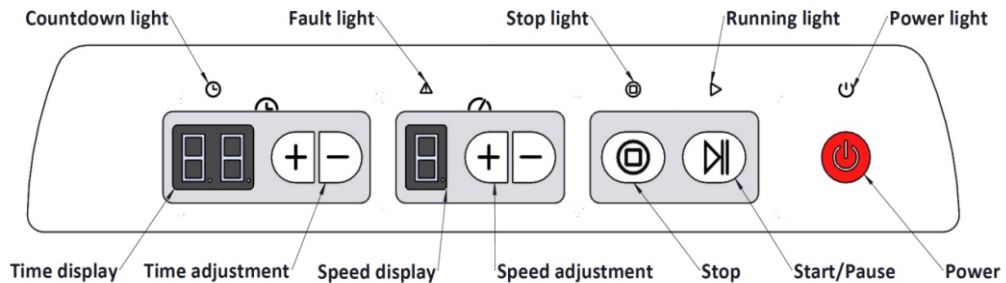
Specification

Flour capacity	1-3Kg
Kneading capacity	1.5-6Kg
Bowl capacity	16L
Dimensions of bowl	360mm - h200mm
Voltage	230V single-phase
Power	750W
Agitator speed	25-65 batt/min
Kneading machine dimensions	397x567x546 mm
Dimensions with packaging	480x670x710 mm
Kneading machine weight	50Kg
Weight with packaging	66.5Kg

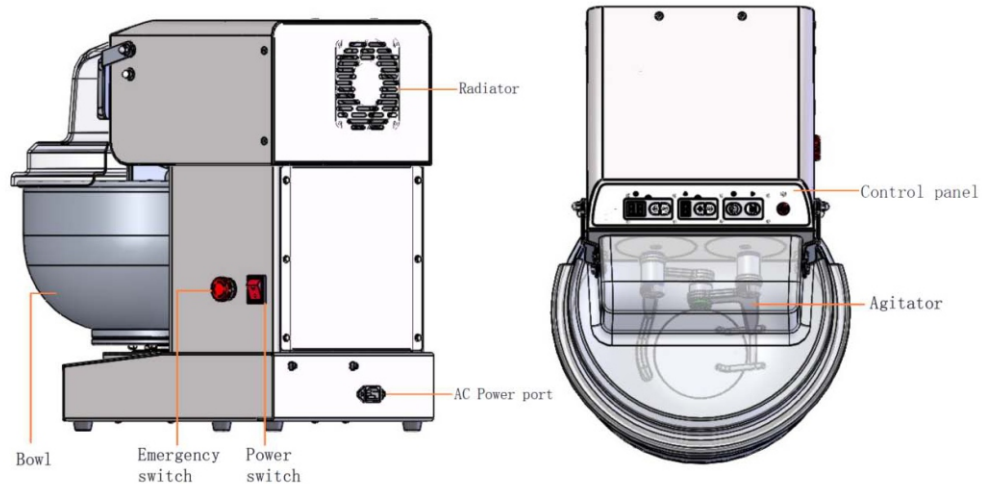
CAD diagram



Control panel instruction



Note: Long press (Stop button) - machine would be slowly rotated



Exploded diagram

